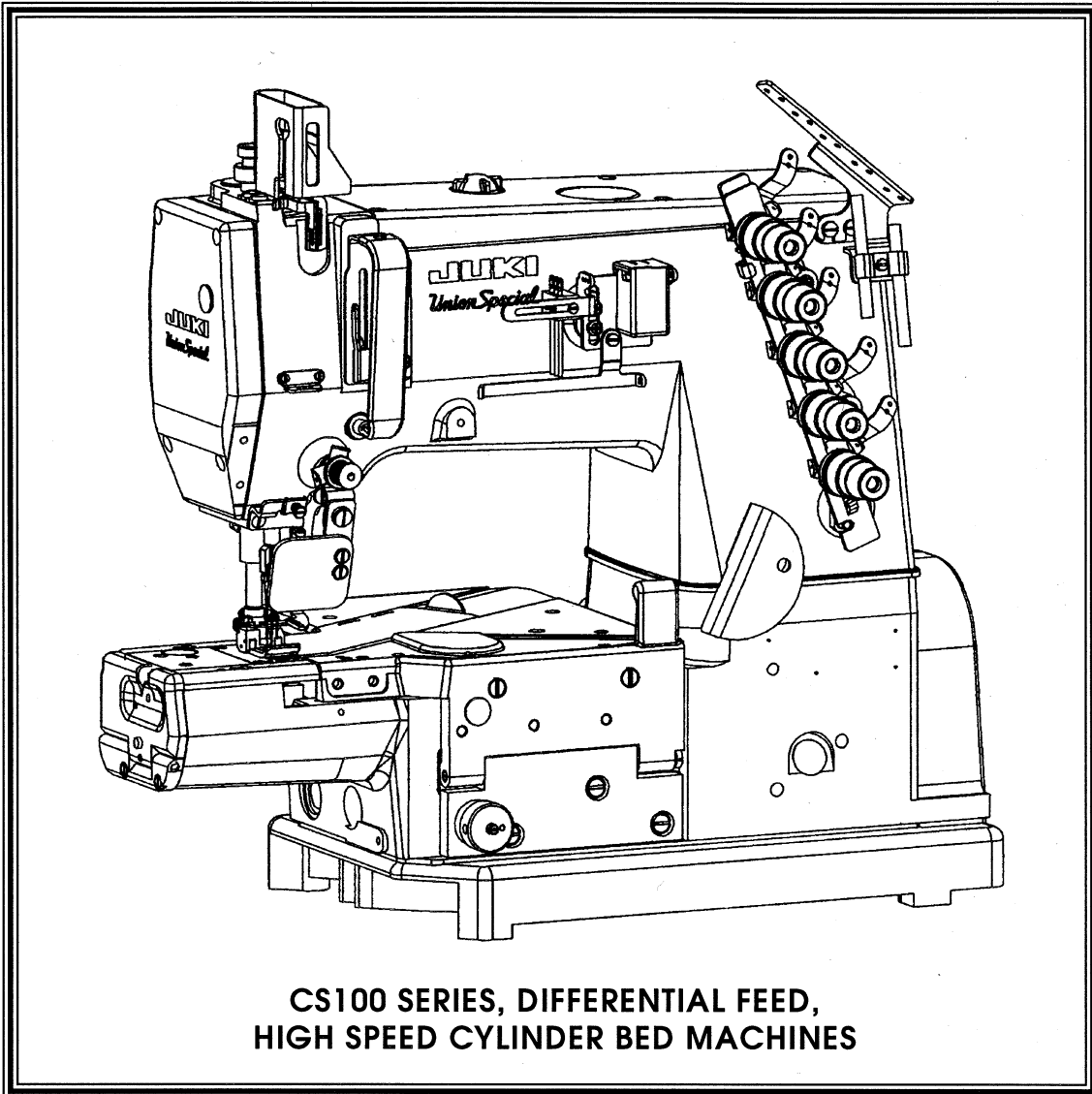




# JUKI

*Union Special*

## ILLUSTRATED PARTS MANUAL



CS100 SERIES, DIFFERENTIAL FEED,  
HIGH SPEED CYLINDER BED MACHINES

MANUAL NO. PT9801  
FOR STYLES

|          |          |          |          |
|----------|----------|----------|----------|
| CS122E11 | CS122H01 | CS122H21 | CS122K01 |
| CS132E11 | CS132H01 | CS132H21 | CS132K01 |
| CS125E61 | CS125H11 | CS125H31 | CS122K02 |
| CS125E62 | CS135H11 | CS135H31 | CS132K02 |
| CS135E61 | CS125H12 | CS125H32 |          |
| CS135E62 | CS135H12 | CS135H32 |          |

USE IN CONJUNCTION WITH MACHINE SERIAL NUMBER PREFIX (BG) AND LATER

# Manual No. PT9801 Illustrated Parts List for CS100 Series Machines

---

---

Second Edition Copyright 2000

By

Union Special Corporation Rights Reserved In All Countries

Printed in U.S.A. April 2000

---

---

## PREFACE

This parts manual has been prepared to assist you in locating individual parts or assemblies on CS100 Series machines.

## IDENTIFICATION OF MACHINES

Each UNION SPECIAL machine is identified by a style number, which is stamped into the style plate affixed to the middle of the machine under the tension assembly. The serial number is stamped into the serial number plate affixed to the right rear base of the machine.



## CONTENTS

|  |    |
|--|----|
| PREFACE .....  | 2  |
| IDENTIFICATION OF MACHINES .....   | 2  |
| STYLES OF MACHINES .....   | 4  |
| STYLES OF MACHINES (CONT.) .....   | 5  |
| ILLUSTRATIONS .....  | 5  |
| IDENTIFYING PARTS .....  | 5  |
| NEEDLES .....  | 5  |
| SAFETY RULES .....   | 6  |
| BUSHINGS .....   | 9  |
| NEEDLE BAR .....   | 11 |
| UPPER MAIN SHAFT .....   | 13 |
| SPREADER .....   | 15 |
| THREAD GUIDE .....   | 17 |
| PRESSER FOOT LIFT .....  | 21 |
| COVERS, UPPER ARM .....  | 23 |
| LOWER MAIN SHAFT .....   | 25 |
| LUBRICATION, OIL TUBING & OIL PUMP .....   | 27 |
| LOOPER DRIVE .....   | 29 |
| LOOPER THREAD TAKE -UP & NEEDLE GUARD .....  | 31 |
| FEED DRIVE MECHANISM .....   | 33 |
| FEED DRIVE MECHANISM .....   | 35 |
| COVERS   |    |
| FOR CS122E11, CS132E11, CS125E61, CS125E62, CS135E61, CS135E62 .....                     | 37 |
| COVERS LOWER BED- FRONT .....  | 39 |
| COVERS LOWER BED- MIDDLE .....   | 41 |
| COVERS LOWER BED - REAR .....  | 43 |
| SEWING PARTS   |    |
| FOR CS122E11, CS125E61, CS125E62, CS132E11, CS135E61, CS135E62 .....                     | 45 |
| SEWING PARTS   |    |
| FOR CS122H01, CS132H01 .....   | 47 |
| SEWING PARTS   |    |
| FOR CS125H11, CS125H12, CS135H11, CS135H12 .....   | 49 |
| SEWING CHART   |    |
| FOR CS125H11, CS135H11 .....   | 50 |
| SEWING CHART   |    |
| FOR CS125H12, CS135H12 .....   | 51 |
| SEWING PARTS   |    |
| FOR CS122H21, CS132H21 .....   | 53 |
| SEWING PARTS   |    |
| FOR CS122K01, CS122K02, CS132K01, CS132K02 .....   | 55 |
| ACCESSORIES .....  | 57 |
| TAPE GUIDE, HOLD DOWN DEVICE   |    |
| FOR CS122E11, CS125E61, CS125E62, CS132E11, CS135E61, CS135E62 .....                     | 59 |
| UNDER TRIMMER ASSEMBLY   |    |
| FOR CS122E11, CS125E61, CS125E62, CS132E11, CS135E61, CS135E62 .....                     | 61 |
| PULLER LIFTER ASSEMBLY   |    |
| FOR CS125E61, CS125E62, CS125H11, CS125H12, CS135E61, CS135E62, CS135H11, CS135H12 ..... | 63 |
| PULLER DRIVE ASSEMBLY  |    |
| FOR CS125E61, CS125E62, CS125H11, CS125H12, CS135E61, CS135E62, CS135H11, CS135H12 ..... | 65 |
| LOWER ROLLER ASSEMBLY  |    |
| FOR CS125E61, CS125E62, CS125H11, CS125H12, CS135E61, CS135E62, CS135H11, CS135H12 ..... | 67 |
| UPPER ROLLER ASSEMBLY  |    |
| FOR CS125E61, CS125E62, CS125H11, CS125H12, CS135E61, CS135E62, CS135H11, CS135H12 ..... | 69 |
| FABRIC TRIMMER ASSEMBLY  |    |
| FOR CS122H21, CS132H21 .....   | 71 |
| NEEDLE DIPPER (EXTRA SEND CHARGE) .....  | 73 |
| NUMERICAL INDEX OF PARTS .....   | 74 |
| NUMERICAL INDEX OF PARTS .....   | 75 |
| NUMERICAL INDEX OF PARTS .....   | 76 |
| NUMERICAL INDEX OF PARTS .....   | 77 |
| NOTES .....  | 78 |
| NOTES .....  | 79 |



## STYLES OF MACHINES

Precision two or three needle cylinder bed machines, with top and bottom coverstitch or bottom coverstitch only. Rotary mainshafts for smoother, quieter and faster operations. Equipped with quick change for main and differential feed. Independently driven rear needle guard, no adjustment necessary when changing stitch length. Adjustable looper avoid eccentric to adapt the looper avoid motion and the elliptic path of looper to the required needle size and type of sewing threads. Recommended needle 121GJS, needle range sizes 055/022 - 090/036.

- CS122E11 ELASTIC. Two or three needle, bottom coverstitch, right hand fabric undertrimmer. - Typical Application - For attaching preclosed elastic while trimming the edge of the fabric. Seam Specification for two needle 406 LSc-1, for three needle 407 LSc-1. Standard gauge for two needle 40, (5/32", 4.0mm), 48, (3/16", 4.8mm), for three needle 56, (7/32", 5.6mm), 64, (1/4", 6.4mm). Maximum recommended speed, depending on application is up to 5500 R.P.M..
- CS132E11 ELASTIC. Same as Style CS122E11 except top coverstitch, Seam Specification for two needle 602 LSc-1, for three needle 605 LSc-1.
- CS125E61 ELASTIC. Same as CS122E11 except equipped with rear roller.
- CS125E62 ELASTIC. Same as CS122E11 except equipped with rear roller.
- CS135E61 ELASTIC. Same as CS132E11 except equipped with rear roller.
- CS135E62 ELASTIC. Same as CS132E11 except equipped with rear roller.
- CS122H01 HEMMING. Two or three needle, bottom coverstitch. - Typical Application - For circular hemming operations on light, medium and heavy weight knit fabrics. Seam Specifications for two needle 406 EFa-1(inv.), for three needle 407 EFa-1 (inv.). Standard gauges for two needle 40, (5/32", 4.0mm), 48, (3/16", 4.8mm), for three needle 56, (7/32", 5.6mm), 64, (1/4", 6.4mm). Recommended speed, depending on application is up to 6500 R.P.M..
- CS132H01 HEMMING. Same as Style CS122H01 except, top and bottom coverstitch. Seam Specification for two needle 602 EFa-1 (inv.), for three needle 605EFa-1 (inv.).
- CS125H11 HEMMING. Two or three needle, rear puller. - Typical Application - For hemming applications. Seam Specifications for two needle 406 EFa-1 (inv.), for three needle 407 EFa-1 (inv.). Standard gauges for two needle 40, (5/32", 4.0mm), 48, (3/16", 4.8mm), for three needle 56, (7/32", 5.6mm), 64, (1/4", 6.4mm). Maximum recommended speed, depending on application is up to 6000 R.P.M..
- CS135H11 HEMMING. Same as Style CS125H11 except top and bottom coverstitch. Seam Specification for two needle 602 EFa-1 (inv.), for three needle 605 EFa-1 (inv.).
- CS125H12 HEMMING. Same as CS125H11 except equipped with rubber roller on rear puller.
- CS135H12 HEMMING. Same as CS135H11 except equipped with rubber roller on rear puller.
- CS122H21 HEMMING. Two or three needle, left hand fabric undertrimmer, bottom coverstitch. - Typical Application - For general hemming of circular openings while trimming the edge of the hem. Seam Specifications for two needle 406 EFa-1 (inv.), for three needle 407 EFa-1 (inv.). Standard gauges for two needle 40, (5/32", 4.0mm), 48, (3/16", 4.8mm), for three needle 56, (7/32", 5.6mm), 64, (1/4", 6.4mm). Maximum recommended speed, depending on application is up to 5500 R.P.M..
- CS132H21 HEMMING. Same as Style CS122H21 except top and bottom coverstitch. Seam Specification for two needle 602 EFa-1 (inv.), for three needle 605 EFa-1 (inv.).
- CS122K01 COVERSEAM. Two needle, bottom coverstitch. - Typical Application - for the second operation to bottom coverstitch overedge seams of circular openings such as shoulder, neck, and waist of light weight knit garments. Seam Specification 406 SSh-2. Standard gauges 48, (3/16", 4.8mm), 56, (7/32", 5.6mm), 64, (1/4", 6.4mm). Recommended speed, depending on application is up to 6500 R.P.M..
- CS122K02 COVERSEAM. Same as Style CS122K01 except Adjustable, split seam guide, for medium to heavy weight knit garments. Standard gauges 56, (7/32", 5.6mm), 64, (1/4", 6.4mm).



## STYLES OF MACHINES (CONT.)

- CS132K01 COVERSEAM. Same as Style CS122K01 except top and bottom coverstitch. Seam Specifications 602 SSh-2. - Typical Application - for light to medium fabrics.
- CS132K02 COVERSEAM. Same as Style CS122K02 except Seam Specification 602 SSh-2.

## ILLUSTRATIONS

This manual has been arranged to simplify ordering repair parts. Exploded views of various sections of the mechanism are shown so that the parts may be seen in their actual position in the machine. On the page opposite the illustration will be found a listing of the parts with their part numbers, description and the number of pieces required in the particular view being shown.

Numbers in the first column are reference numbers only, and merely indicate the position of the part in the illustration. The reference number should never be used in ordering parts. Always use the part number listed in the second column.

Component parts of sub-assemblies which can be furnished for repairs are indicated by indenting their descriptions under the description of the main sub-assembly. As an example refer to the following text.

- |    |             |   |   |
|----|-------------|---|---|
| 5. | 50366B      | Needle Thread Strike-Off Assembly ..... | 1 |
| 6. | 50358V      | Needle Thread Strike-Off .....          | 1 |
| 7. | 50370F      | Thread Strike-Off Component .....       | 1 |
| 8. | SS7060310SP | Screw, for plate strike-off .....       | 1 |

When a part is common to all machines covered in this manual, no specific usage will be mentioned in the description. However, when the parts for the various machines are not the same, the specific usage will be mentioned in the description and, if necessary, the difference will be shown in the illustration.

\*NOTE: Ref. No. showing no Part No. is for location only. Part is not for sale separately.

A numerical index of all the parts shown in this manual is located at the back. This will facilitate locating the illustration and description when only a part number is known.

## IDENTIFYING PARTS

Where construction permits, each part is stamped with its part number. On some of the smaller parts and on those where construction does not permit, an identification letter is stamped in to distinguish the part from similar ones.

PLEASE NOTE: Part numbers represent the same part, regardless of which manual they appear. On all orders please include part number, name and style of machine for which the part was ordered.

For optimum performance use only genuine Union Special replacement parts.

## NEEDLES

Each needle has both a type and size number. The type number denotes the kind of shank, point, length, groove, finish and other details. The size number, stamped on the needle shank, denotes the largest diameter of the blade measured between the shank and the eye. Collectively, the type number and size number represent the complete symbol which is given on the label of all needles packed and sold by Union Special.

| <u>TYPE</u> | <u>DESCRIPTION</u>   |
|-------------|--|
| 121 GJS     | Short, double groove, struck groove, ball eye, spotted, ball point, chromium plated- Sizes available 055/022, 065/025, 070/027, 075/029, 080/032, 090/036. |

When changing the needle, make sure it is fully inserted in the holder before the screw is tightened.

When ordering needles, please use the complete type and size numbers as printed on the package to ensure prompt and accurate processing of your order. A complete order should read as follows: "100 needles, type 121 GJS, size 075/029".



## SAFETY RULES

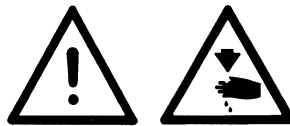
1. Before putting the machines described in this manual into service, carefully read the instructions. The starting of each machine is only permitted after taking notice of the instructions and by qualified operators.

**IMPORTANT!** Before putting the machine into service, also read the safety rules and instruction from the motor supplier.

2. Observe the national safety rules valid for your country.
3. The sewing machines described in this instruction manual are prohibited from being put into service until it has been ascertained that the sewing units which these sewing machines will be built into, have conformed with the EC Council Directives (89/392/EEC, Annex II B).

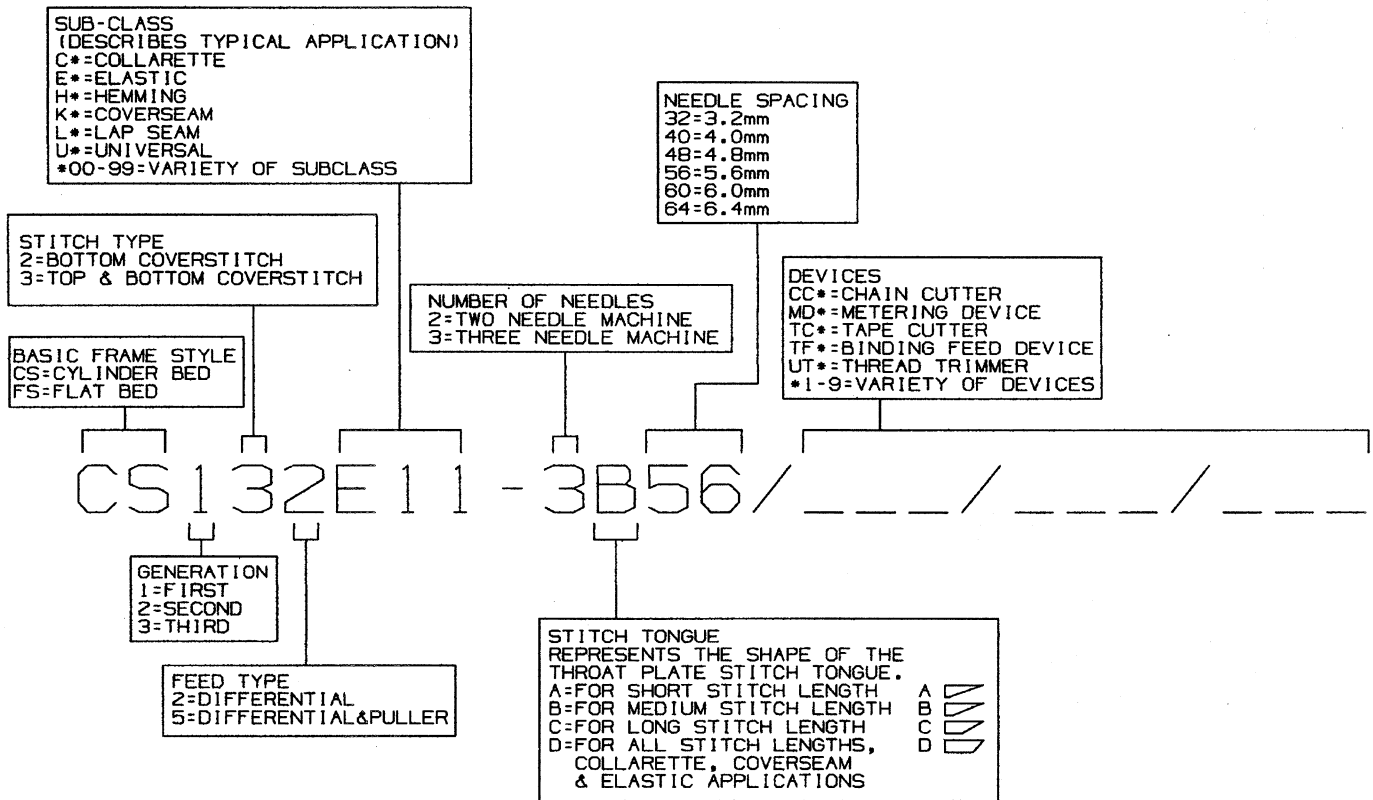
Each machine is only allowed to be used as foreseen. The foreseen use of the particular machine is described in paragraph "STYLES OF MACHINES" of this instruction manual. Another use, going beyond the description, is not as foreseen.

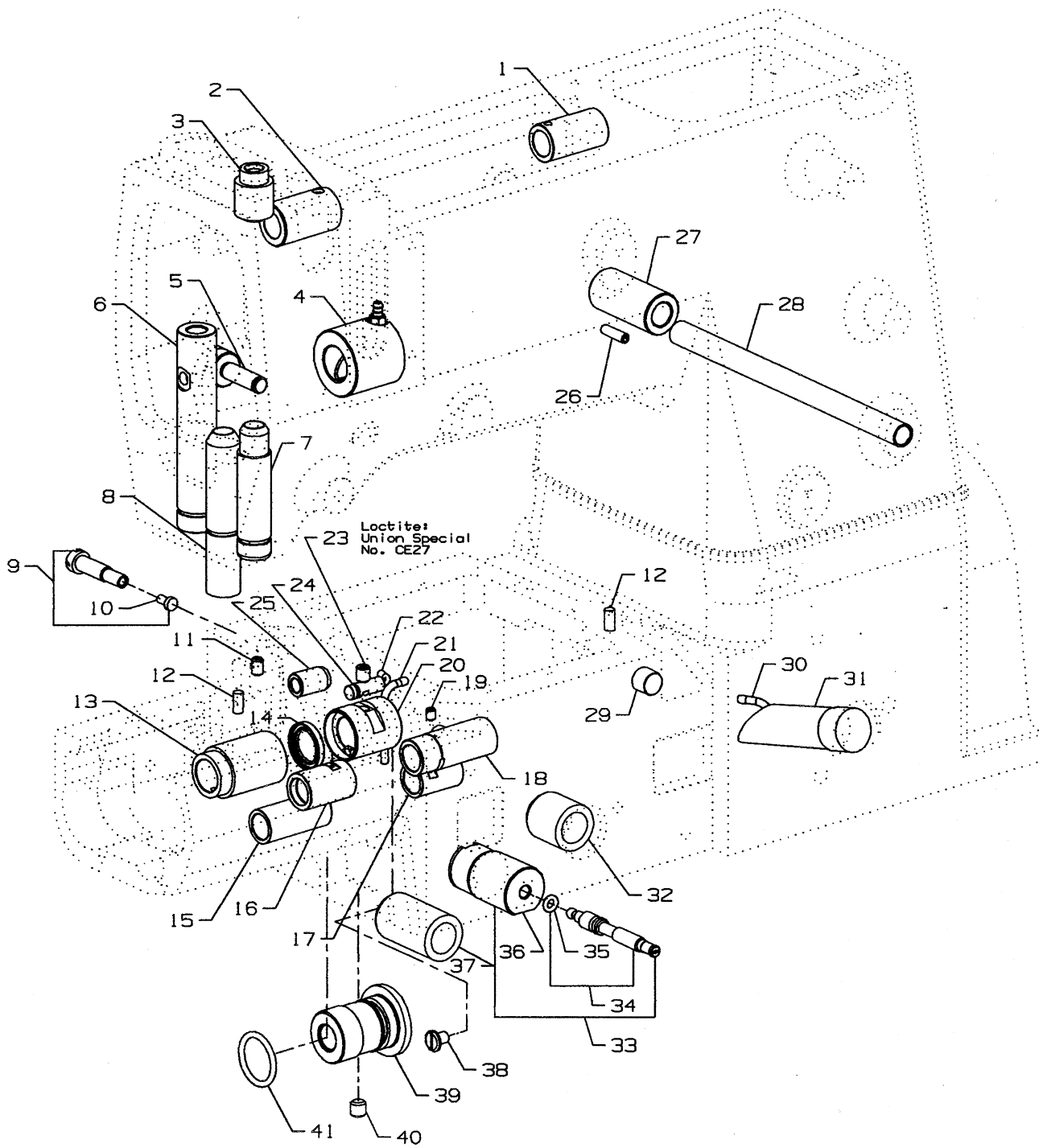
4. All safety devices must be in position when the machine is ready for work or in operation. Operation of the machine without the appertaining safety devices is prohibited.
5. Wear safety glasses.
6. In case of machine conversions and changes all valid safety rules must be considered. Conversions and changes are made at your own risk.
7. The warning hints in the instructions are marked with one of these two symbols:



8. When doing the following the machine has to be disconnected from the power supply by turning off the main switch or by pulling out the main plug:
  - 8.1 When threading needle(s), looper, spreader etc.
  - 8.2 When replacing any parts such as needle(s), presser foot, throat plate, looper, spreader, feed dog, needle guard, folder, fabric guide etc.
  - 8.3 When leaving the workplace and when the workplace is unattended.
  - 8.4 When doing maintenance work.
  - 8.5 When using clutch motors without actuation lock, wait until the motor is stopped totally.
9. Maintenance, repair and conversion work (see item 8) must be done only by trained technicians or special skilled personnel under consideration of the instructions.
10. Any work on the electrical equipment must be done by an electrician or under direction and supervision of special skilled personnel.
11. Work on parts and equipment under electrical power is not permitted. Permissible exceptions are described in the applicable sections of standard sheet DIN VDE 0105.
12. Before doing maintenance and repair work on the pneumatic equipment, the machine has to be disconnected from the compressed air supply. In case of existing residual air pressure after disconnecting from compressed air supply (i.e. pneumatic equipment with air tank), the pressure has to be removed by bleeding.

# CS100 SERIES BUILDING BLOCK STYLE DESIGNATION SYSTEM



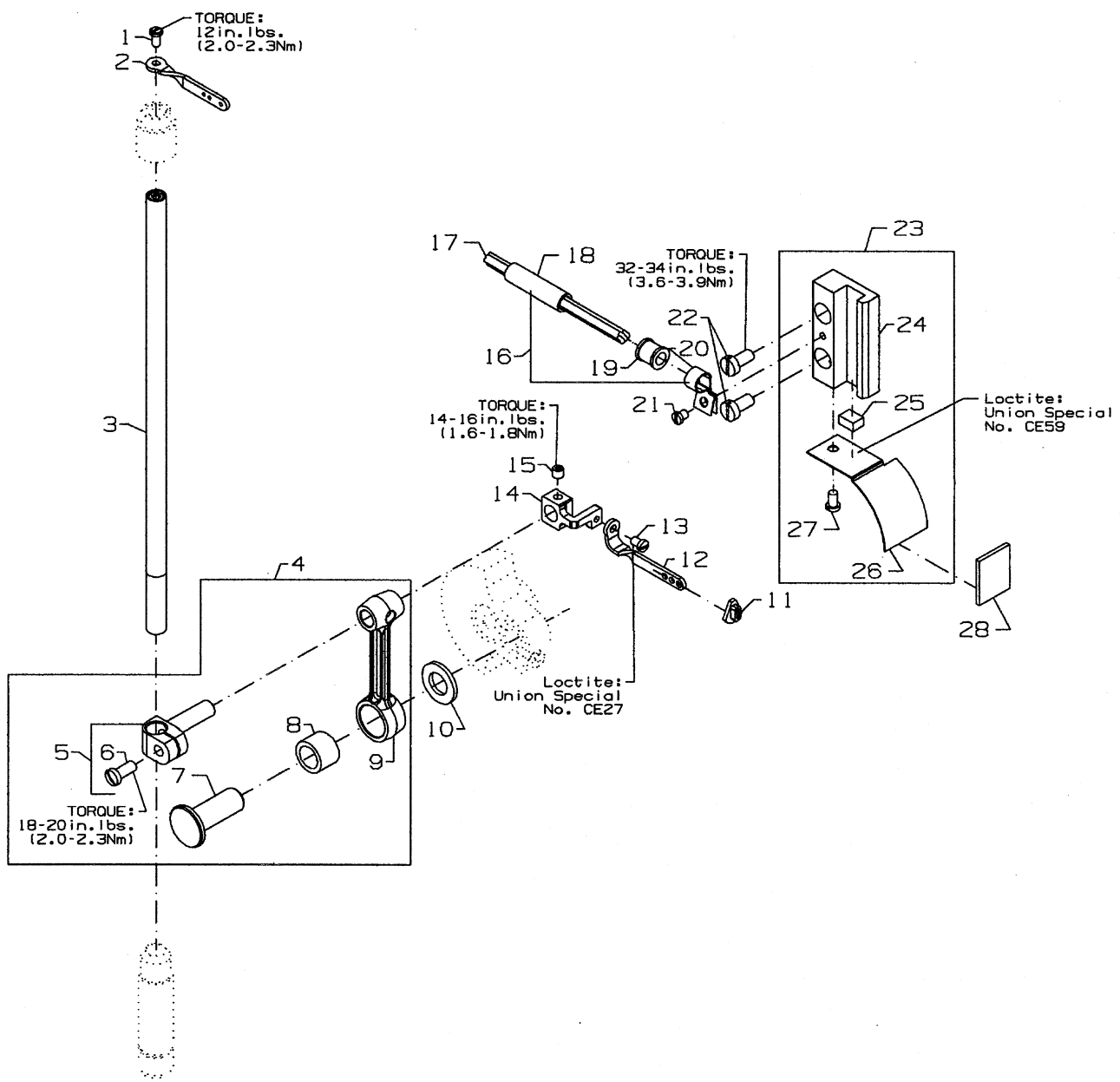




## BUSHINGS

| Ref.<br>No. | Part No.    | Description                                  | Amt.<br>Req. |
|-------------|-------------|--|--------------|
| 1.          | 50347E      | Bushing, for spreader, rear .....            | 1            |
| 2.          | 50347F      | Bushing, for spreader, front .....           | 1            |
| 3.          | 50354J      | Bushing, for needle bar, upper .....         | 1            |
| 4.          | 50344BU     | Bushing, for upper main shaft, front .....   | 1            |
| 5.          | 50332U      | Pin .....                                    | 1            |
| 6.          | 50347L      | Bushing, for spreader drive .....            | 1            |
| 7.          | 50354H      | Bushing, for needle bar, lower .....         | 1            |
| 8.          | 50330CZ     | Bushing, for presser bar .....               | 1            |
| 9.          | 99352       | Stop Screw .....                             | 2            |
| 10.         | 999-212-035 | Stop .....                                   | 1            |
| 11.         | 22894BD     | Screw, for cast-off plate stud .....         | 1            |
| 12.         | 96841       | Pin .....                                    | 1            |
| 13.         | 34390       | Bushing, for main shaft, left .....          | 1            |
| 14.         | 50393EZ     | Oil Seal .....                               | 1            |
| 15.         | 34336C      | Bushing, for feed rocker, left .....         | 1            |
| 16.         | 34336D      | Bushing, for feed lifter shaft, left .....   | 1            |
| 17.         | 34336B      | Bushing, for feed rocker shaft, right .....  | 1            |
| 18.         | 34336E      | Bushing, for feed lifter shaft, right .....  | 1            |
| 19.         | 22565C      | Set Screw .....                              | 1            |
| 20.         | 50344BP     | Bushing, for main shaft, middle .....        | 1            |
| 21.         | 34394A      | Oil Tube .....                               | 1            |
| 22.         | 50393KW     | Oil Tube .....                               | 1            |
| 23.         | 22894AD     | Screw .....                                  | 1            |
| 24.         | 999-211B    | "O" Ring .....                               | 1            |
| 25.         | 50344BL     | Bushing, for cast-off plate bracket .....    | 1            |
| 26.         | PS0400142KH | Pin .....                                    | 1            |
| 27.         | 50381E      | Bushing, for lifter lever, back .....        | 1            |
| 28.         | 50392AB     | Bushing, for tension release .....           | 1            |
| 29.         | 22571F      | Plug Screw .....                             | 2            |
| 30.         | 34394B      | Oil Tube .....                               | 1            |
| 31.         | 50393GF     | Oil Sight Gauge .....                        | 1            |
| 32.         | 34342G      | Bushing, for looper drive shaft, front ..... | 1            |
| 33.         | 50344BN     | Differential Feed Adjusting Assembly .....   | 1            |
| 34.         | 50322AZ     | Differential Feed Adjusting Shaft .....      | 1            |
| 35.         | RO037180100 | "O" Ring .....                               | 1            |
| 36.         | 50344BK     | Differential Adjusting Bushing .....         | 1            |
| 37.         | 34342F      | Bushing, for looper drive shaft rear .....   | 1            |
| 38.         | 22829       | Screw .....                                  | 1            |
| 39.         | 50344AV     | Bushing .....                                | 1            |
| 40.         | SS8660612TP | Screw .....                                  | 1            |
| 41.         | 999-211     | "O" Ring .....                               | 1            |

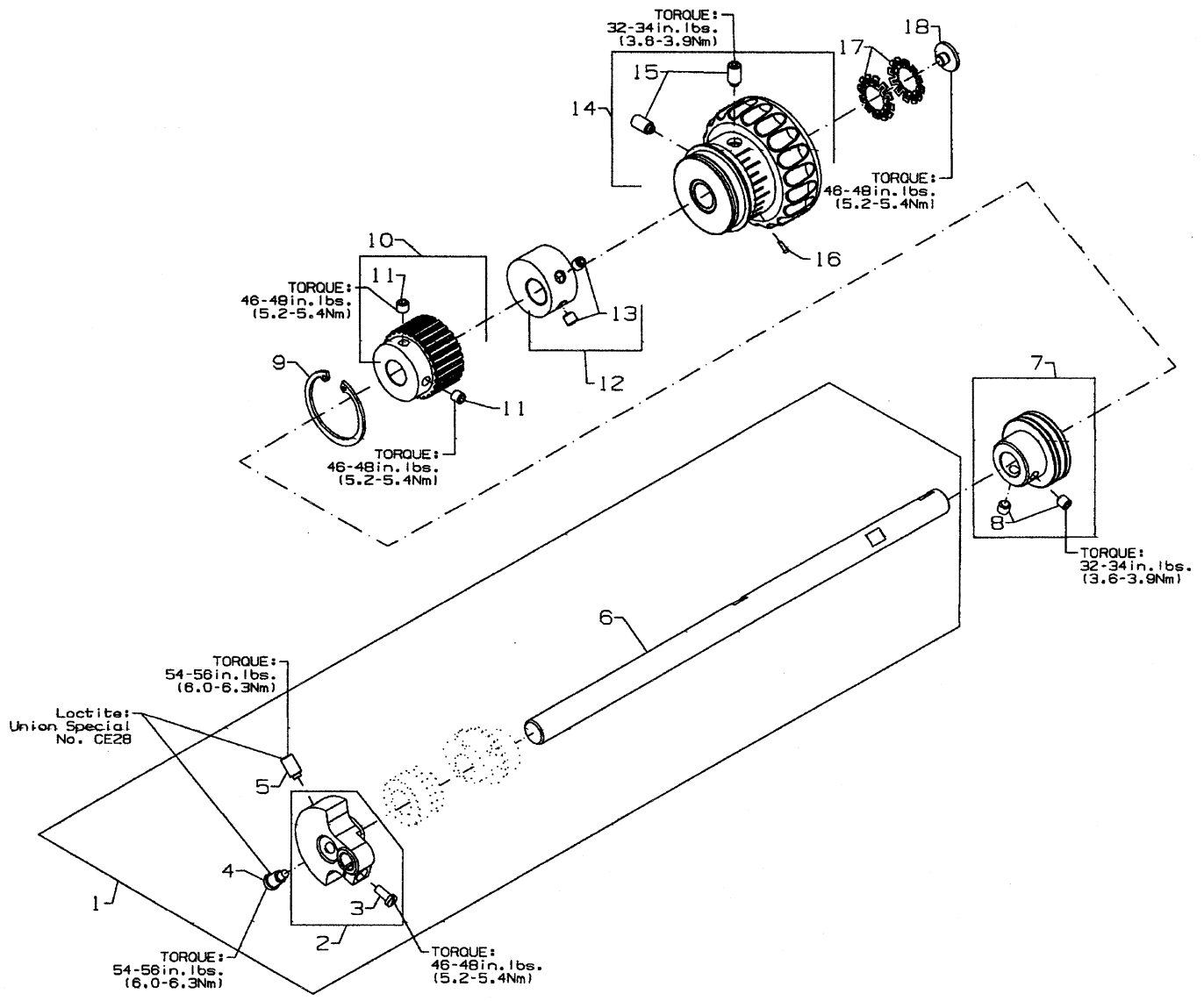




## NEEDLE BAR

| Ref.<br>No. | Part No.    | Description   | Amt.<br>Req. |
|-------------|-------------|---|--------------|
| 1.          | SS4080620TP | Screw .....   | 1            |
| 2.          | 50323P      | Needle Bar Eyelet .....                                 | 1            |
| 3.          | 50317B      | Needle Bar .....  | 1            |
| 4.          | 50345W      | Connecting Rod Assembly .....                           | 1            |
| 5.          | 50355AM     | Needle Bar Clamp .....                                  | 1            |
| 6.          | SS7111120TP | Screw .....   | 1            |
| 7.          | 50352       | Pivot Pin .....   | 1            |
| 8.          | 661-259B    | Needle Bearing Cage .....                               | 1            |
| 9.          | 50355AN     | Connecting Rod .....                                    | 1            |
| 10.         | 50351A      | Washer .....  | 1            |
| 11.         | 50393JP     | Eyelet Seal .....                                       | 1            |
| 12.         | 50358X      | Needle Thread Eyelet .....                              | 1            |
| 13.         | SS7080520SP | Screw .....   | 1            |
| -           | CE27        | Loctite Adhesive, (not shown), for screw .....          | -            |
| 14.         | 50354F      | Slide Block .....                                       | 1            |
| -           | CE63        | Three Bond Adhesive, (not shown), for slide block ..... | -            |
| 15.         | SS8110422TP | Screw .....   | 1            |
| 16.         | 29476TC     | Oil Tube Assembly .....                                 | 1            |
| 17.         | CQ25220000  | Wick .....  | 1            |
| 18.         | 50393JY     | Oil Tube .....  | 1            |
| 19.         | 50393JZ     | Oil Tube .....  | 1            |
| 20.         | 50393JW     | Hose Clamp .....  | 1            |
| 21.         | SS6090440SP | Screw, for support bracket .....                        | 1            |
| 22.         | SS6121010SP | Screw .....   | 2            |
| 23.         | 29476TH     | Slide Block Guide Assembly .....                        | 1            |
| 24.         | 50354G      | Slide Block Guide .....                                 | 1            |
| -           | 50393HS     | Sponge .....  | 1            |
| 25.         | CE59        | Loctite Adhesive, (not shown), for sponge .....         | -            |
| 26.         | 50394AF     | Slide Block Guide Cover .....                           | 1            |
| 27.         | SS6090620SP | Screw .....   | 1            |
| 28.         | 666-329     | Felt .....  | 1            |

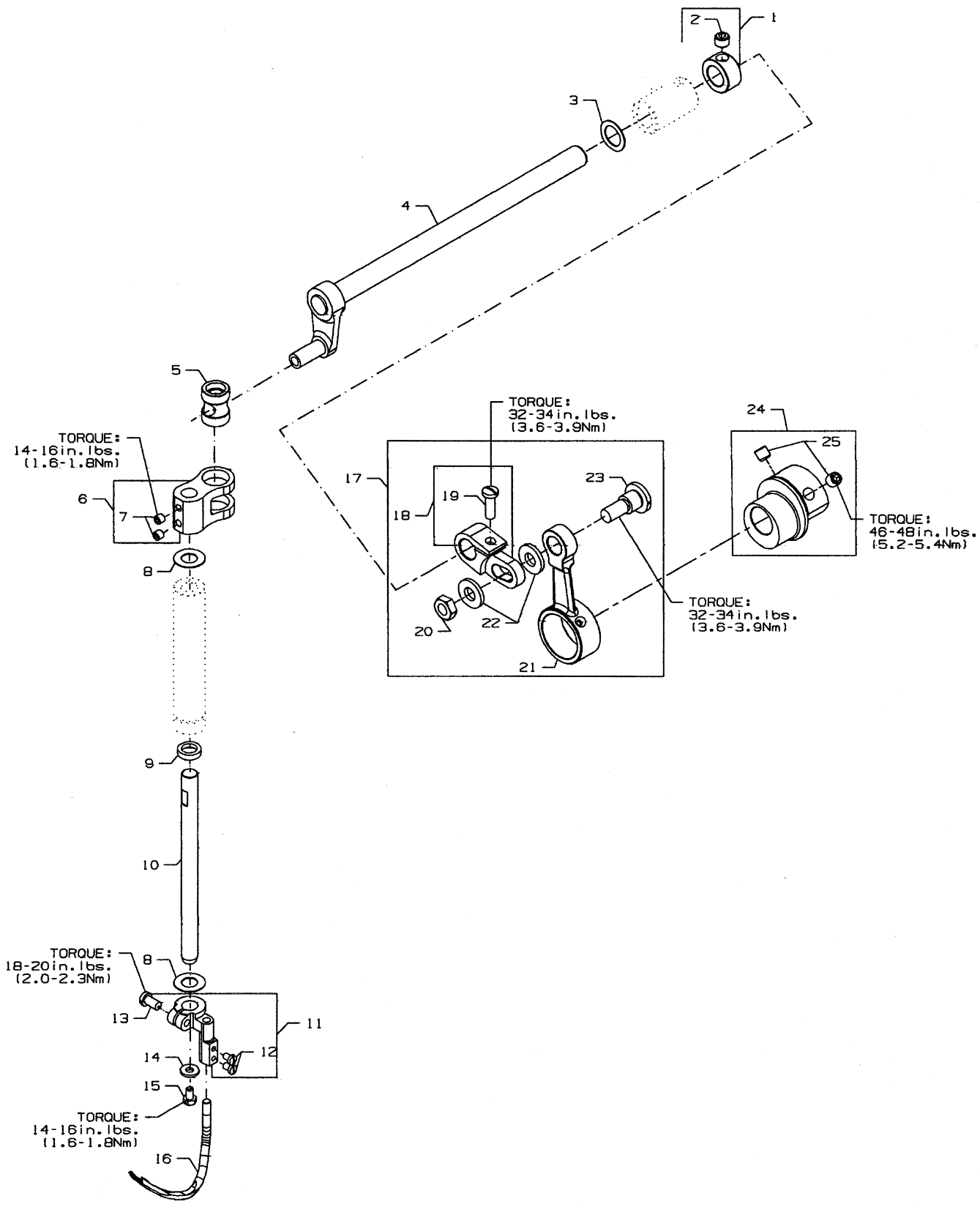




## UPPER MAIN SHAFT

| Ref.<br>No. | Part No.    | Description                           | Amt.<br>Req. |
|-------------|-------------|---------------------------------------|--------------|
| 1.          | 50322BB     | Upper Main Shaft Assembly .....       | 1            |
| 2.          | 50391       | Counter Weight .....                  | 1            |
| 3.          | SS7111120TP | Screw, for counter weight .....       | 1            |
| 4.          | SS7681410TP | Screw, for counter weight .....       | 1            |
| 5.          | SS8681412TP | Screw, for counter weight .....       | 1            |
| 6.          | 50322AF     | Upper Main Shaft .....                | 1            |
| 7.          | 50335BD     | Bearing Adapter Assembly .....        | 1            |
| 8.          | SS8660612TP | Screw, for bearing adapter .....      | 2            |
| 9.          | 661-262     | Retaining Ring .....                  | 1            |
| 10.         | 50342AY     | Sprocket, for upper main shaft .....  | 1            |
| 11.         | SS8661012TP | Set Screw, for sprocket .....         | 2            |
| 12.         | 50391A      | Counterweight .....                   | 1            |
| 13.         | SS8660612TP | Screw .....                           | 2            |
| 14.         | 50321M      | Handwheel .....                       | 1            |
| 15.         | SS8681412TP | Set Screw, for handwheel .....        | 2            |
| 16.         | 660-1043    | Tack Pin, for hand wheel .....        | 1            |
| 17.         | 661-261     | Load Ring, for lower main shaft ..... | 2            |
| 18.         | SS7660520SP | Screw, for handwheel preload .....    | 1            |

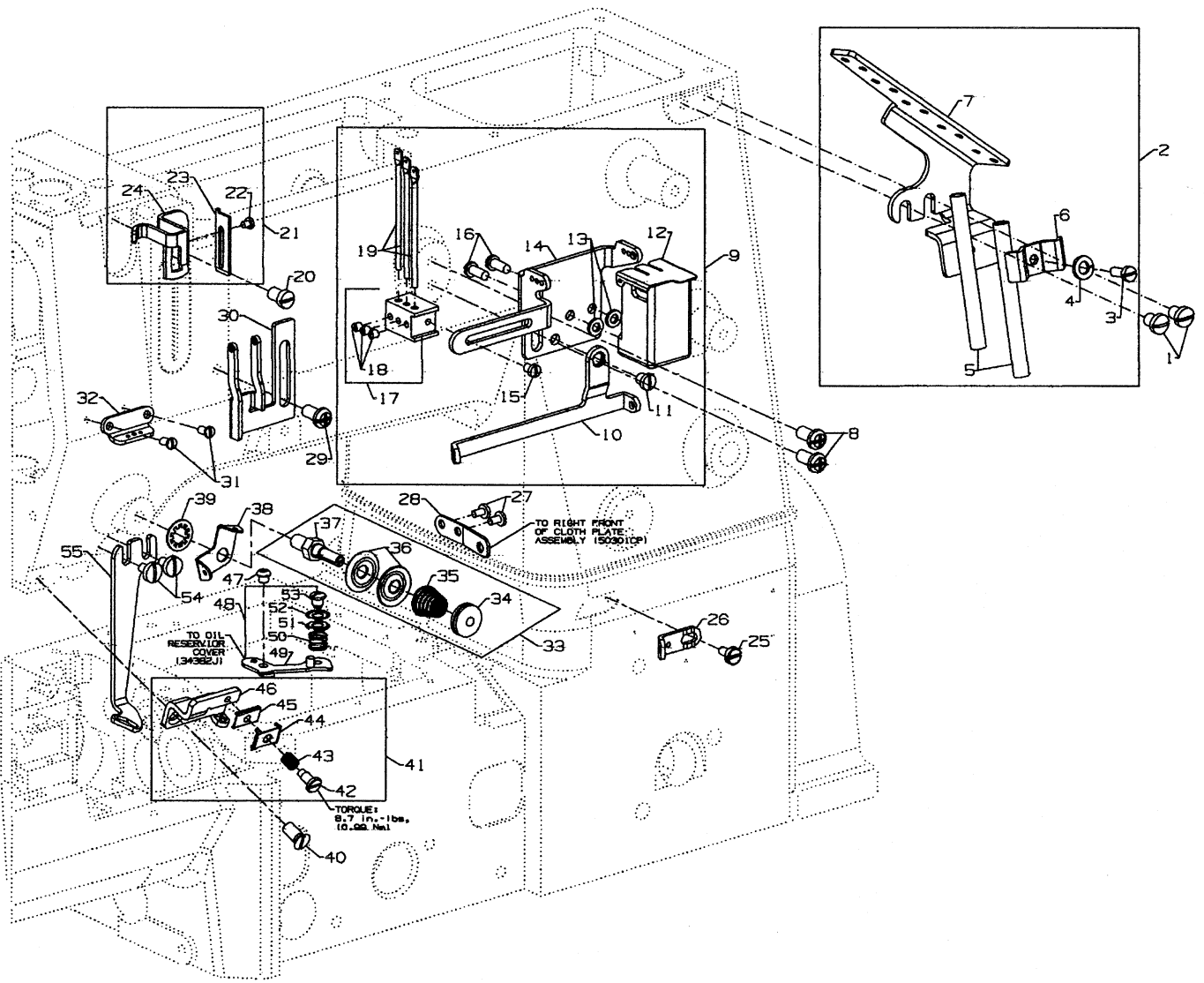




# SPREADER

| Ref.<br>No. | Part No.    | Description                              | Amt.<br>Req. |
|-------------|-------------|--|--------------|
| 1.          | 50335AW     | Collar, for spreader shaft .....         | 1            |
| 2.          | SS8660512TP | Set Screw .....                          | 1            |
| 3.          | 96162B      | Washer .....                             | 1            |
| 4.          | 50360B      | Crankshaft, for spreader assembly .....  | 1            |
| 5.          | 50347J      | Pin, for spreader rocker .....           | 1            |
| 6.          | 50347C      | Lever, for spreader holder shaft .....   | 1            |
| 7.          | SS8110422TP | Screw .....                              | 2            |
| 8.          | 61351C      | Washer .....                             | 2            |
| 9.          | 660-739     | Oil Seal .....                           | 1            |
| 10.         | 50347G      | Shaft, for spreader, vertical .....      | 1            |
| 11.         | 50346A      | Spreader Holder .....                    | 1            |
| 12.         | SS7080510TP | Screw .....                              | 2            |
| 13.         | SS7110910TP | Screw .....                              | 1            |
| 14.         | 53678N      | Washer .....                             | 1            |
| 15.         | SS9090640SP | Hex Screw, for vertical shaft .....      | 1            |
| 16.         | 50360H      | Spreader .....                           | 1            |
| 17.         | 29126FW     | Spreader Crank Rod Assembly .....        | 1            |
| 18.         | 50360G      | Spreader Shaft Driving Arm .....         | 1            |
| 19.         | SS7121410TP | Screw .....                              | 1            |
| 20.         | NS6680410SP | Hex Nut, for spreader drive .....        | 1            |
| 21.         | 50360F      | Connecting Rod, for spreader drive ..... | 1            |
| 22.         | WP0742016SP | Collar, for spreader driving arm .....   | 2            |
| 23.         | SD1000801SH | Stud .....                               | 1            |
| 24.         | 50360       | Eccentric, for spreader drive .....      | 1            |
| 25.         | SS8660612TP | Screw .....                              | 2            |



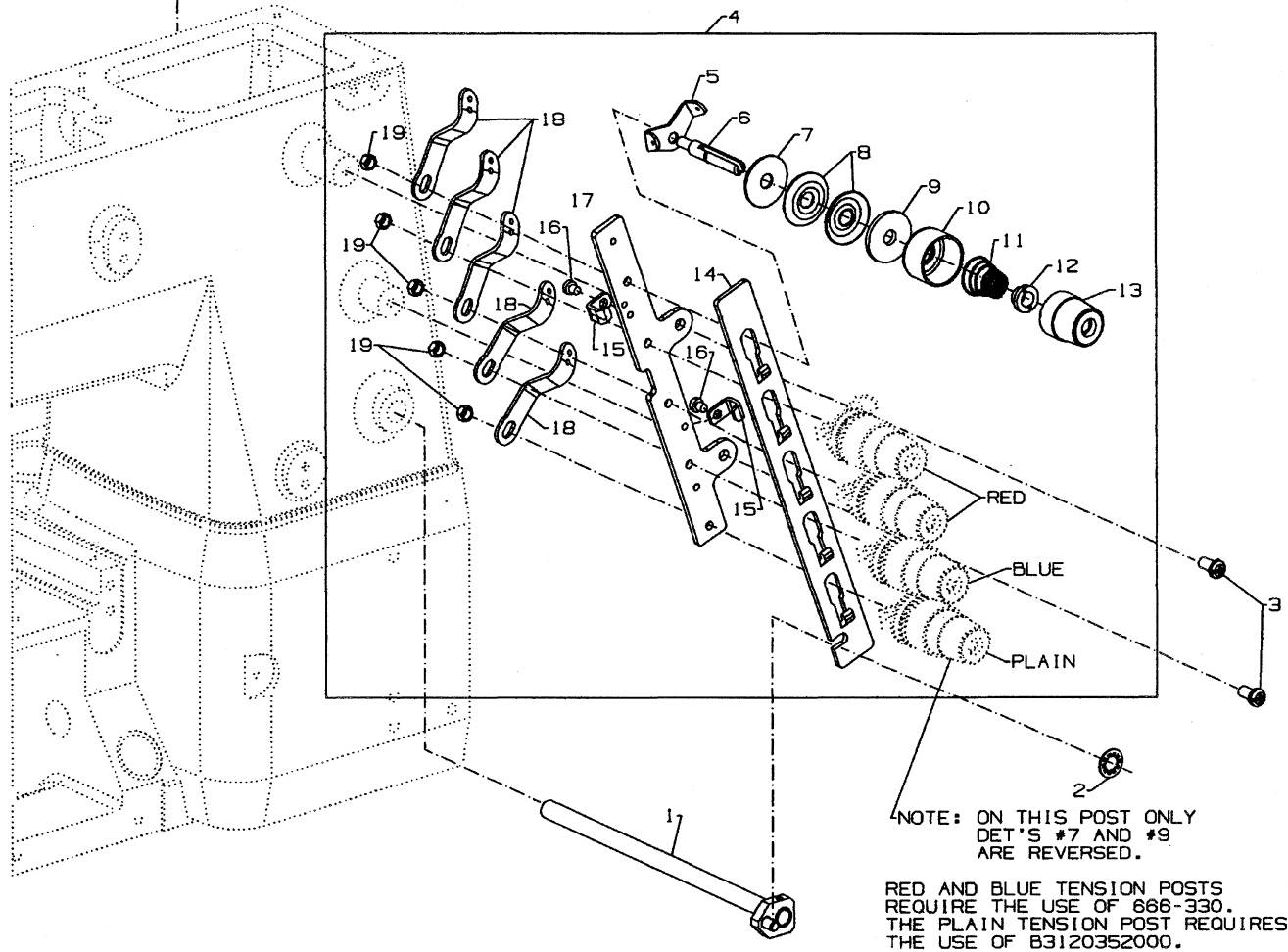
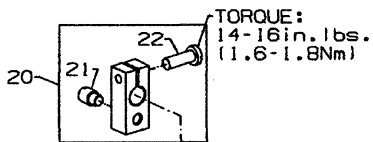




## THREAD GUIDE

| Ref.<br>No. | Part No.    | Description                                     | Amt.<br>Req. |
|-------------|-------------|---|--------------|
| 1.          | SS7120640SP | Screw, for lead-in eyelet .....                 | 2            |
| 2.          | 50392AU     | Thread Eyelet Assembly .....                    | 1            |
| 3.          | SS7090910TP | Screw, for tube bracket .....                   | 1            |
| 4.          | WS0510002KP | Washer .....                                    | 1            |
| 5.          | 50366       | Thread Eyelet Tube .....                        | 2            |
| 6.          | 50366A      | Thread Eyelet Tube Bracket .....                | 1            |
| 7.          | 50392S      | Lead-in Tension Eyelet .....                    | 1            |
| 8.          | SS4120615SP | Screw, for spreader thread guide .....          | 2            |
| 9.          | 50363CK     | Needle Thread Guide & Lubricator Assembly ..... | 1            |
| 10.         | 50358U      | Thread Guide, for spreader .....                | 1            |
| 11.         | SS7110410SP | Screw, for needle thread guide .....            | 1            |
| 12.         | 50393HH     | Silicone Thread Lubricator .....                | 1            |
| 13.         | WS0371026SD | Washer .....                                    | 2            |
| 14.         | 50366J      | Needle Thread Guide .....                       | 1            |
| 15.         | SS7080510TP | Screw, for holder eyelet .....                  | 1            |
| 16.         | SS4090815SP | Screw, for silicone tank .....                  | 2            |
| 17.         | 50358W      | Holder, for needle thread eyelet .....          | 1            |
| 18.         | SS8080410TP | Screw .....                                     | 3            |
| 19.         | 36271A      | Adjusting Needle Thread Eyelet .....            | 3            |
| 20.         | SS7120710SP | Screw, for strike-off .....                     | 1            |
| 21.         | 50366B      | Needle Thread Strike-Off Assembly .....         | 1            |
| 22.         | SS7060310SP | Screw, for plate strike-off .....               | 1            |
| 23.         | 50370F      | Thread Strike-Off Component .....               | 1            |
| 24.         | 50358V      | Needle Thread Strike-Off .....                  | 1            |
| 25.         | 98A         | Screw .....                                     | 1            |
| 26.         | 12124202    | Looper Frame Eyelet .....                       | 1            |
| 27.         | 87U         | Screw .....                                     | 1            |
| 28.         | 34358F      | Looper Thread Guide .....                       | 1            |
| 29.         | SS4120915SP | Screw, for thread take-up cover .....           | 1            |
| 30.         | 50392T      | Eyelet .....                                    | 1            |
| 31.         | 605A        | Screw, for needle thread guide .....            | 2            |
| 32.         | C50044E     | Needle Thread Guide .....                       | 1            |
| 33.         | 29475CG     | Spreader Thread Tension Assembly .....          | 1            |
| 34.         | 50392AZ     | Tension Nut .....                               | 1            |
| 35.         | 50392AY     | Tension Spring .....                            | 1            |
| 36.         | 50392AX     | Tension Disc .....                              | 2            |
| 37.         | 50392AW     | Tension Post .....                              | 1            |
| 38.         | 57844       | Eyelet .....                                    | 1            |
| 39.         | 652C16      | Star Washer .....                               | 1            |
| 40.         | SS1121010SP | Screw, for thread guide .....                   | 1            |
| 41.         | 50357AR     | Nipper Plate Assembly .....                     | 1            |
| 42.         | SD0380551SL | Shoulder Screw .....                            | 1            |
| 43.         | 50357AS     | Nipper Spring .....                             | 1            |
| 44.         | 50357Y      | Nipper Spring Plate .....                       | 1            |
| 45.         | 50357V      | Nipper Plate .....                              | 1            |
| 46.         | 50366G      | Thread Guide .....                              | 1            |
| 47.         | 18C1471     | Screw .....                                     | 2            |
| 48.         | 29480AYJ    | Looper Thread Nipper .....                      | 1            |
| 49.         | 50366L      | Eyelet .....                                    | 1            |
| 50.         | 50357AV     | Spring, Nipper .....                            | 1            |
| 51.         | 50357AT     | Nipper Plate .....                              | 1            |
| 52.         | 50357AX     | Nipper Plate .....                              | 1            |
| 53.         | 50357AW     | Screw, Tension Post .....                       | 1            |
| 54.         | SS7090610SP | Screw, for spreader thread guide .....          | 2            |
| 55.         | 50346       | Thread Guide Spreader .....                     | 1            |

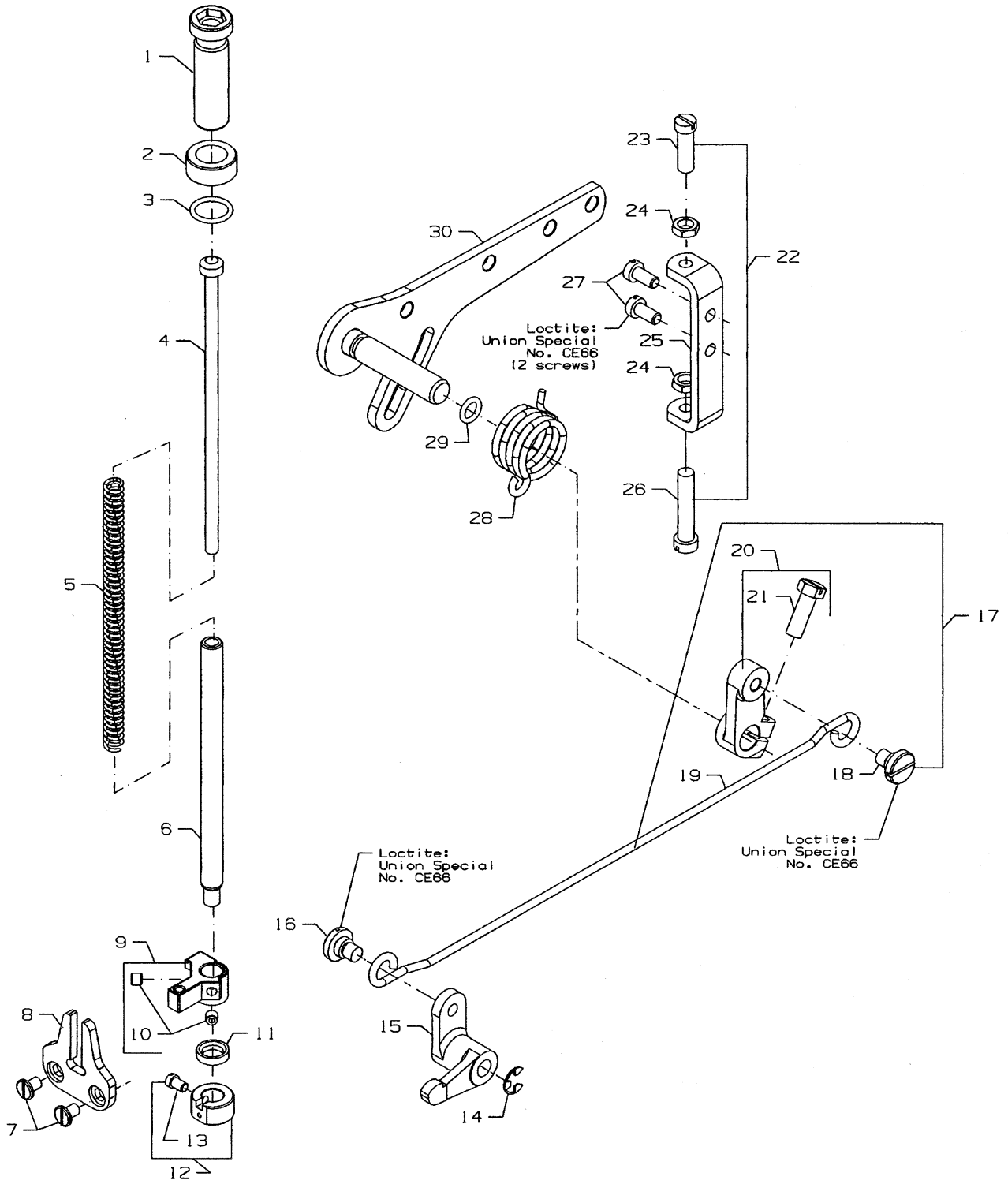




## TENSION RELEASE & THREAD TENSION

| Ref.<br>No. | Part No.    | Description                                  | Amt.<br>Req. |
|-------------|-------------|--|--------------|
| 1.          | 50392Z      | Tension Needle Lever Assembly .....          | 1            |
| 2.          | 660-283A    | Retainer Washer .....                        | 1            |
| 3.          | SS4120915SP | Screw, for tension assembly .....            | 2            |
| 4.          | 50392Y      | 5 Thread Tension Assembly .....              | 1            |
| 5.          | 57892K      | Thread Tension Eyelet .....                  | 5            |
| 6.          | 56392G      | Tension Post .....                           | 5            |
| 7.          | B3120352000 | Tension Disc Felt .....                      | 1            |
| -           | 666-330     | Disc Felt .....                              | 4            |
| 8.          | B3126012000 | Tension Disc .....                           | 10           |
| 9.          | B3120704000 | Tension Disc Felt .....                      | 5            |
| 10.         | 56392H      | Spring Shield .....                          | 5            |
| 11.         | 11550209    | Spring, needle (green) .....                 | 3            |
| -           | B3103804000 | Spring, spreader (blue) .....                | 1            |
| -           | B3121804000 | Spring, looper (plain) .....                 | 1            |
| 12.         | B3112704000 | Ferrule, tension spring .....                | 5            |
| 13.         | 50692G      | Knob, needle (green) .....                   | 3            |
| -           | 56392M      | Knob, spreader (blue) .....                  | 1            |
| -           | 56392R      | Knob, looper (plain) .....                   | 1            |
| 14.         | 50392W      | Tension Disc Separator .....                 | 1            |
| 15.         | 50392AV     | Guide, for tension disc separator .....      | 2            |
| 16.         | SS7090520SP | Screw, for guide .....                       | 2            |
| 17.         | 50392X      | Tension Bracket .....                        | 1            |
| 18.         | 57865       | Lead-In Thread Guide .....                   | 5            |
| 19.         | NS6110420SP | Nut .....                                    | 5            |
| 20.         | 50392BC     | Tension Release Lever Shaft Connection ..... | 1            |
| 21.         | 22875N      | Base Spring Screw .....                      | 1            |
| 22.         | SS7121410TP | Binder Screw .....                           | 1            |

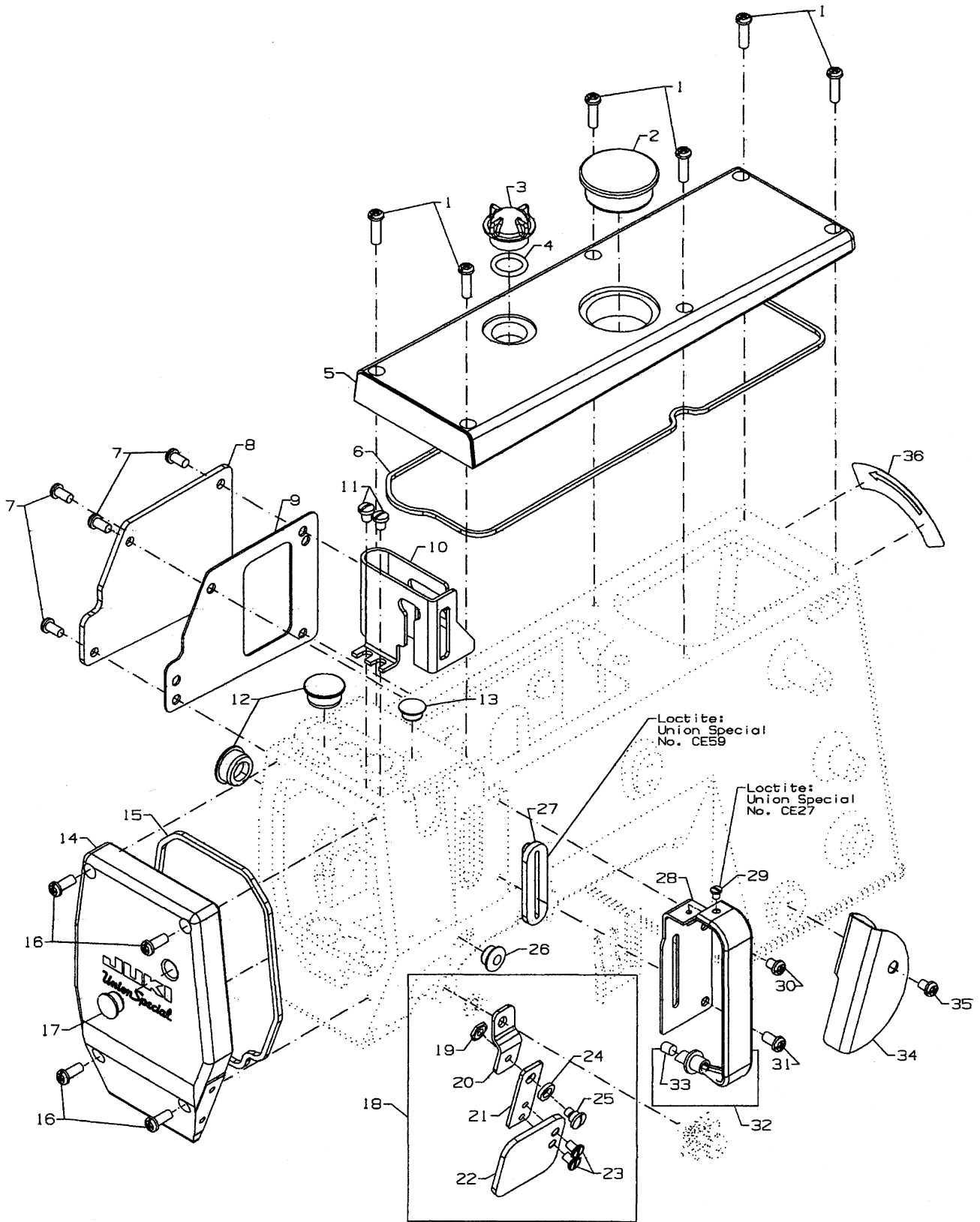




PRESSER FOOT LIFT

| Ref. No. | Part No.    | Description                                    | Amt. Req. |
|----------|-------------|--|-----------|
| 1.       | 11071602    | Adjusting Screw, for spring .....              | 1         |
| 2.       | 11071701    | Locking Nut .....                              | 1         |
| 3.       | 660-1014    | "O" Ring .....                                 | 1         |
| 4.       | C50056B     | Spring Rod .....                               | 1         |
| 5.       | 50357AP     | Spring, for presser bar .....                  | 1         |
| 6.       | 50335AF     | Presser Bar .....                              | 1         |
| 7.       | SS6110610TP | Screw, for guide plate .....                   | 2         |
| 8.       | 50335AG     | Guide Plate, for presser bar .....             | 1         |
| 9.       | 50335AH     | Presser Bar Guide .....                        | 1         |
| 10.      | SS8110422TP | Set Screw .....                                | 2         |
| 11.      | 660-739     | Oil Seal .....                                 | 1         |
| 12.      | 50333P      | Collar .....                                   | 1         |
| 13.      | 22562       | Screw .....                                    | 2         |
| 14.      | RE0500000KO | E Ring, for pin .....                          | 1         |
| 15.      | 50381F      | Lever, for lifter, front .....                 | 1         |
| 16.      | SD0790303SP | Screw, for wire connector .....                | 1         |
| -        | CE66        | Loctite Adhesive, (not shown), for screw ..... | -         |
| 17.      | 29476TK     | Rear Lifter Lever Assembly .....               | 1         |
| 18.      | SD0790303SP | Screw .....                                    | 1         |
| 19.      | 50355AR     | Wire Connector .....                           | 1         |
| 20.      | 50381G      | Lifter Lever, rear .....                       | 1         |
| 21.      | SS9151740CP | Hex Screw .....                                | 1         |
| 22.      | 29476TT     | Stop Assembly .....                            | 1         |
| 23.      | SS6151920SP | Screw, for stopper .....                       | 1         |
| 24.      | NS6150310SP | Hex Nut .....                                  | 2         |
| 25.      | 50332V      | Stopper, for lifter lever .....                | 1         |
| 26.      | SS6153040SP | Screw, for adjusting stopper .....             | 1         |
| 27.      | SS6121010SP | Screw, for adjusting stopper .....             | 2         |
| -        | CE66        | Loctite Adhesive, (not shown), for screw ..... | -         |
| 28.      | 50381       | Spring, for lifter lever .....                 | 1         |
| 29.      | RO068190100 | "O" Ring .....                                 | 1         |
| 30.      | 50381B      | Lifter Lever Assembly .....                    | 1         |

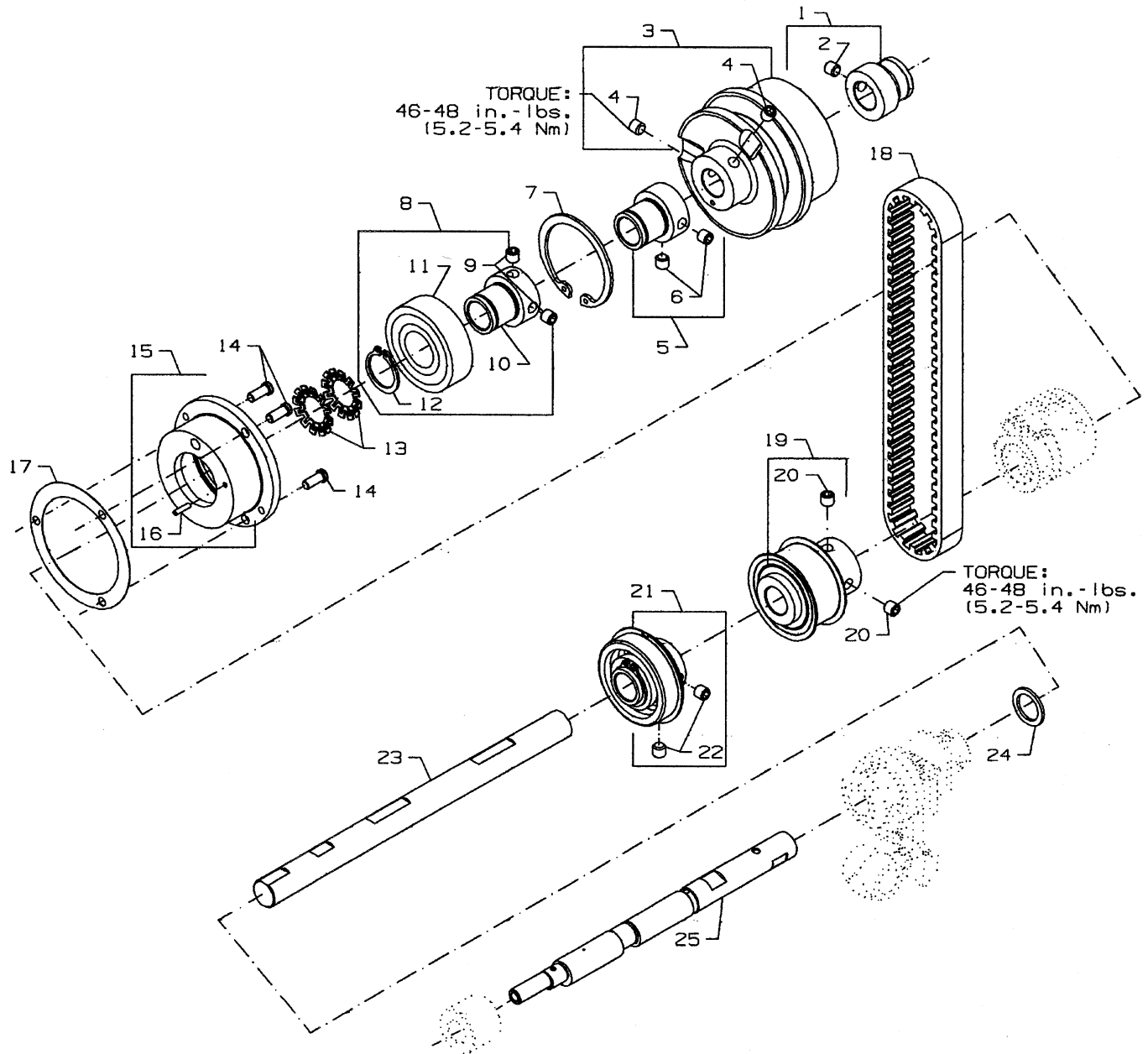




## COVERS, UPPER ARM

| Ref.<br>No. | Part No.    | Description                           | Amt.<br>Req. |
|-------------|-------------|---------------------------------------|--------------|
| 1.          | SS4121615SP | Screw, for top cover .....            | 6            |
| 2.          | 50393EU     | Plug, for top cover .....             | 1            |
| 3.          | B3530555000 | Oil Sight Gauge, top .....            | 1            |
| 4.          | 660-212     | "O" Ring, for oil sight gauge .....   | 1            |
| 5.          | 50382FW     | Top Cover .....                       | 1            |
| 6.          | 50382FZ     | Quad Ring, for top cover .....        | 1            |
| 7.          | SS4120915SP | Screw, for puller drive cover .....   | 4            |
| 8.          | 50382GB     | Puller Drive Cover .....              | 1            |
| 9.          | 50384L      | Gasket, for puller drive cover .....  | 1            |
| 10.         | 50317C      | Needle Bar Guard .....                | 1            |
| 11.         | SS7120640SP | Screw, for needle bar guard .....     | 2            |
| 12.         | 50393HB     | Plug .....                            | 2            |
| 13.         | TA1050504R0 | Plug, for arm .....                   | 1            |
| 14.         | 50382FX     | Head Cover .....                      | 1            |
| 15.         | 50382FY     | Quad Ring, for head cover .....       | 1            |
| 16.         | SS4121215SP | Screw, for head cover .....           | 4            |
| 17.         | TA1100604R0 | Plug .....                            | 1            |
| 18.         | 99682XCB    | Sewing Guard Assembly .....           | 1            |
| 19.         | NS6620320SP | Nut .....                             | 1            |
| 20.         | 50383AE     | Bracket Holder .....                  | 1            |
| 21.         | 50383AD     | Bracket .....                         | 1            |
| 22.         | 99682XC     | Protection Shield .....               | 1            |
| 23.         | SS1110640SL | Counter Sunk Head Screw .....         | 2            |
| 24.         | WZ0641510KP | Spring Washer .....                   | 1            |
| 25.         | SD0640323TP | Shoulder Screw .....                  | 1            |
| 26.         | 50337AW     | Plug .....                            | 1            |
| 27.         | 50393EW     | Rubber Gasket, for needle lever ..... | 1            |
| 28.         | 50382JL     | Thread Take-Up Bracket .....          | 1            |
| 29.         | SS7090530SP | Screw .....                           | 1            |
| 30.         | SS4120615SP | Screw, for thread cover .....         | 1            |
| 31.         | SS4120915SP | Screw, for thread take-up cover ..... | 1            |
| 32.         | 50382JN     | Thread Take-Up Cover .....            | 1            |
| 33.         | 666-334     | Felt Wick .....                       | 1            |
| 34.         | 50382GM     | Thread Cover .....                    | 1            |
| 35.         | SS4120615SP | Screw, for thread cover .....         | 1            |
| 36.         | LA451       | Label, in direction of rotation ..... | 1            |



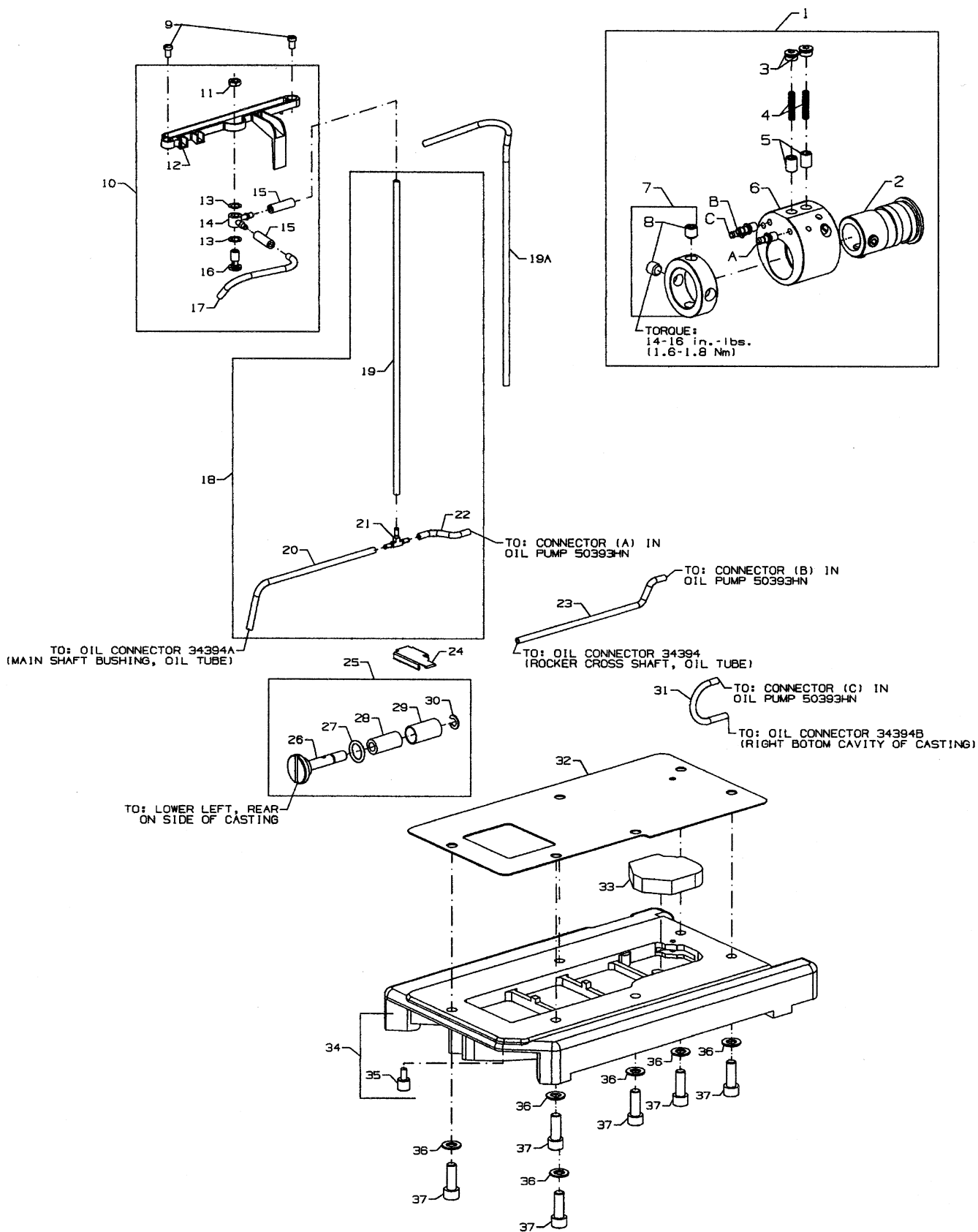




## LOWER MAIN SHAFT

| Ref.<br>No. | Part No.    | Description                                     | Amt.<br>Req. |
|-------------|-------------|---|--------------|
| 1.          | 34321CC     | Flange, synchronizer.....                       | 1            |
| 2.          | 95205       | Screw .....                                     | 1            |
| 3.          | 50321J      | Pulley .....                                    | 1            |
| 4.          | SS8660612TP | Set Screw .....                                 | 2            |
| 5.          | 50335AP     | Adapter .....                                   | 1            |
| 6.          | SS8660612TP | Screw, for adapter .....                        | 2            |
| 7.          | 661-348     | Retainer Ring .....                             | 1            |
| 8.          | 50344AR     | Bearing Adaptor Assembly .....                  | 1            |
| 9.          | SS8660612TP | Screw .....                                     | 2            |
| 10.         | 50335AP     | Adaptor .....                                   | 1            |
| 11.         | 50311C      | Ball Bearing, for lower main shaft, right ..... | 1            |
| 12.         | 50322AN     | Retainer, for sprocket .....                    | 1            |
| 13.         | 661-261     | Load Ring .....                                 | 2            |
| 14.         | 22569B      | Screw, for housing .....                        | 3            |
| 15.         | 50390L      | Rear Bearing Housing .....                      | 1            |
| 16.         | 99658       | Housing Pin .....                               | 1            |
| 17.         | 56390E      | Housing Gasket .....                            | 1            |
| 18.         | 50342BD     | Timing Belt .....                               | 1            |
| 19.         | 50342BH     | Sprocket, for lower main shaft .....            | 1            |
| 20.         | SS8660612TP | Set Screw .....                                 | 2            |
| 21.         | 50335BC     | Bearing Adapter Assembly .....                  | 1            |
| 22.         | SS8660612TP | Screw .....                                     | 2            |
| 23.         | 50322AH     | Lower Main Shaft, right .....                   | 1            |
| 24.         | 96162A      | Washer .....                                    | 1            |
| 25.         | 50322BG     | Mainshaft, left .....                           | 1            |

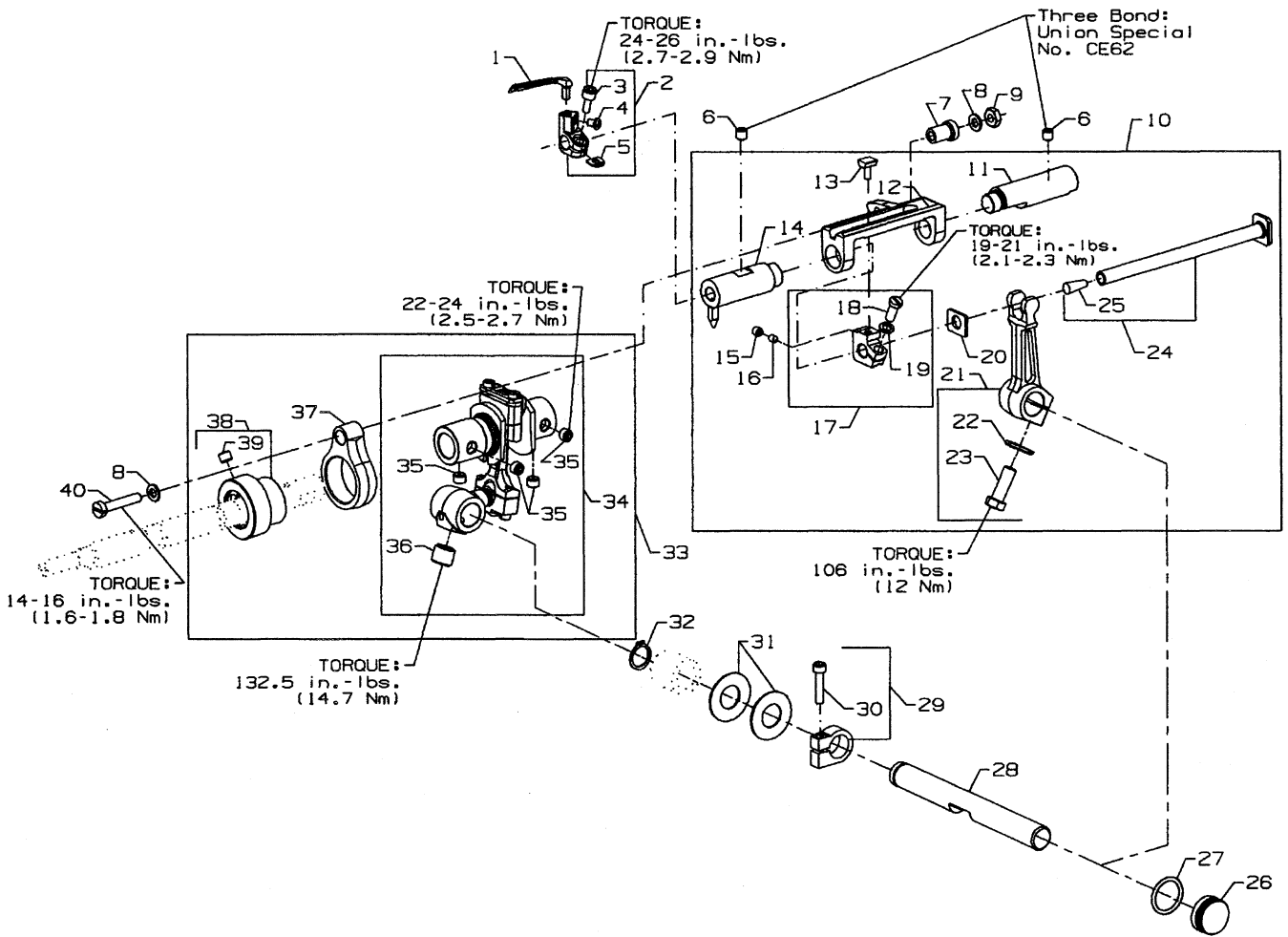




## LUBRICATION, OIL TUBING & OIL PUMP

| Ref.<br>No. | Part No.    | Description  | Amt.<br>Req. |
|-------------|-------------|--|--------------|
| 1.          | 50393HN     | Oil Pump Assembly, 2 stage .....                     | 1            |
| 2.          | 50393GD     | Oil Pump Housing, 2 Stage .....                      | 1            |
| 3.          | 18-1470     | Screw .....  | 2            |
| 4.          | 50332S      | Spring, for plunger .....                            | 2            |
| 5.          | 34393D      | Plunger .....  | 2            |
| 6.          | 50393GB     | Oil Pump Housing, 2 Stage .....                      | 1            |
| 7.          | 50393EX     | Collar .....   | 1            |
| 8.          | SS8660612TP | Screw .....  | 2            |
| 9.          | SS7120710SP | Screw .....  | 2            |
| 10.         | 29476TR     | Oil Supply Trough Assembly .....                     | 1            |
| 11.         | 258A        | Nut .....  | 1            |
| 12.         | 50393FH     | Oil Supply Trough .....                              | 1            |
| 13.         | 41350X      | Washer .....   | 2            |
| 14.         | C50094B     | Connector Dual Feed .....                            | 1            |
| 15.         | 50393GT     | Oil Tube Cover .....                                 | 2            |
| 16.         | 50393HE     | Plug Screw .....                                     | 1            |
| 17.         | 50393FK     | Tube .....   | 1            |
| 18.         | 29476TS     | Oil Supply Trough Assembly for CS122 and CS132 ..... | 1            |
| -           | 29476VL     | Oil Supply Trough Assembly for CS125 and CS135 ..... | 1            |
| 19.         | 50393FF     | Oil Tube .....                                       | 1            |
| 19A.        | 50393KV     | Oil Tube .....                                       | 1            |
| 20.         | 50393FG     | Oil Tube .....                                       | 1            |
| 21.         | 50393GU     | "T" Connector .....                                  | 1            |
| 22.         | 50393FD     | Oil Tube .....                                       | 1            |
| 23.         | 50393FE     | Oil Tube .....                                       | 1            |
| 24.         | 50393LA     | Oil Screen .....                                     | 1            |
| 25.         | 29476TJ     | Oil Filter Assembly .....                            | 1            |
| 26.         | 99349       | Stud .....   | 1            |
| 27.         | 660-212     | "O" Ring .....                                       | 1            |
| 28.         | 34393M      | Oil Screen Felt .....                                | 1            |
| 29.         | 34393L      | Oil Screen .....                                     | 1            |
| 30.         | 96276       | Retaining Ring .....                                 | 1            |
| 31.         | 50393HV     | Oil Tube .....                                       | 1            |
| 32.         | 34682C      | Gasket .....   | 1            |
| 33.         | 999-254J    | Oil Filter .....                                     | 1            |
| 34.         | 50382GS     | Base Plate .....                                     | 1            |
| 35.         | 22571E      | Magnet Plug .....                                    | 6            |
| 36.         | 95953       | Washer .....   | 6            |
| 37.         | 95406       | Screw .....  | 1            |

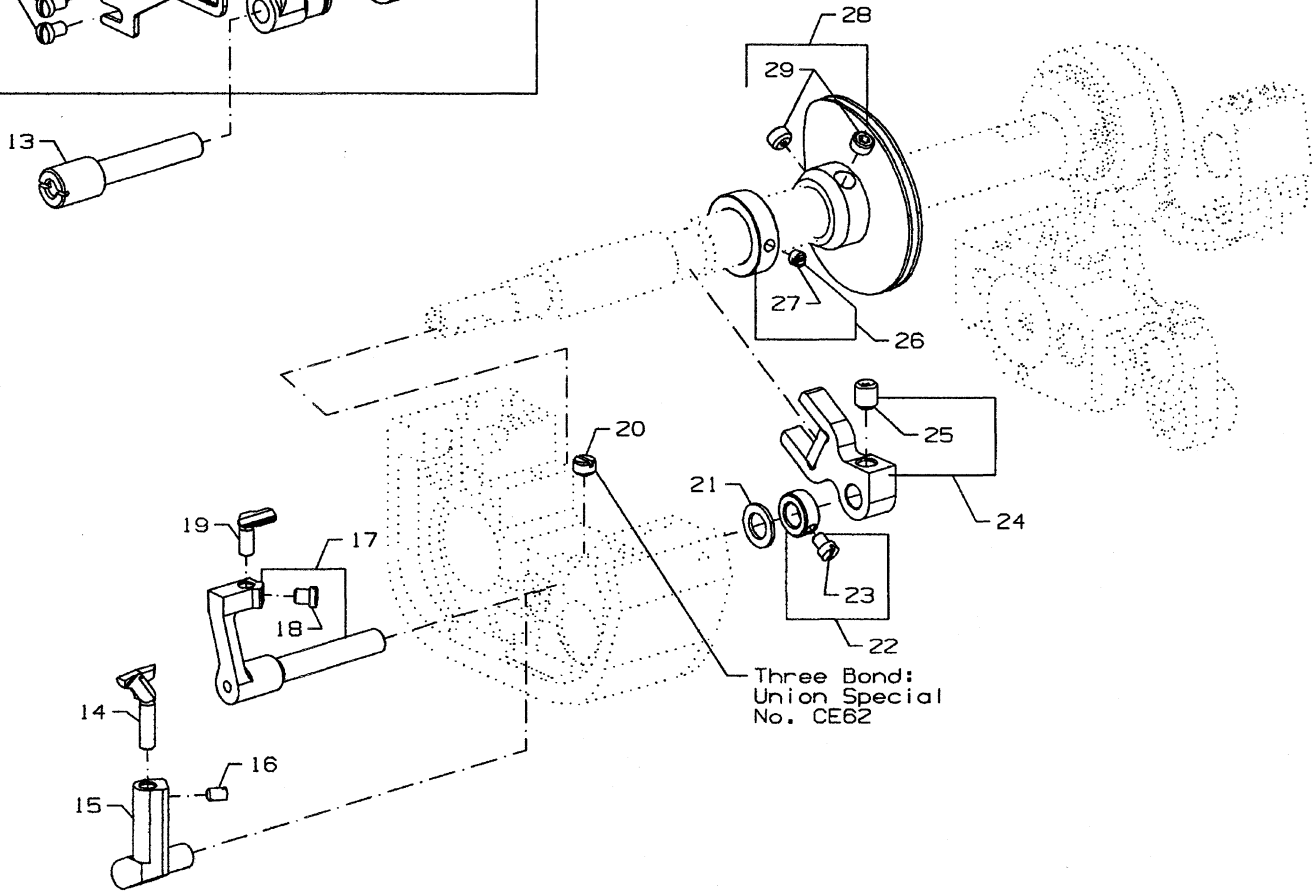
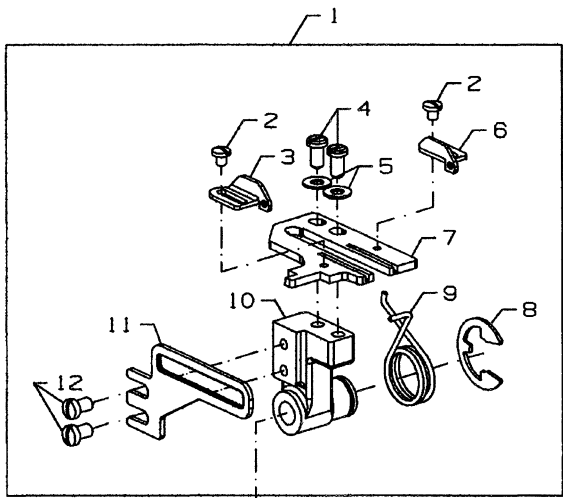




## LOOPER DRIVE

| Ref.<br>No. | Part No.    | Description                          | Amt.<br>Req. |
|-------------|-------------|--------------------------------------|--------------|
| 1.          | 34709D      | Looper .....                         | 1            |
| 2.          | 50348       | Holder, for looper .....             | 1            |
| 3.          | SS6091022TP | Screw .....                          | 1            |
| 4.          | SS6090560TP | Screw .....                          | 1            |
| 5.          | 50313T      | Washer .....                         | 1            |
| 6.          | 22894C      | Screw .....                          | 2            |
| 7.          | 50344AG     | Bushing .....                        | 1            |
| 8.          | 99652A      | Washer .....                         | 2            |
| 9.          | 9937        | Nut .....                            | 1            |
| 10.         | 29476VK     | Looper Drive Assembly .....          | 1            |
| 11.         | 50343RC     | Bushing, for looper bar, right ..... | 1            |
| 12.         | 34344A      | Cam Guide .....                      | 1            |
| 13.         | 34344E      | Cam Follower .....                   | 1            |
| 14.         | 50344BM     | Bushing, for looper shaft .....      | 1            |
| 15.         | 22894W      | Screw .....                          | 1            |
| 16.         | 39543E      | Locking Clamp .....                  | 1            |
| 17.         | 34344D      | Cam Guide Holder .....               | 1            |
| 18.         | 22541B      | Screw .....                          | 1            |
| 19.         | 51235G      | Washer .....                         | 1            |
| 20.         | 34343C      | Washer .....                         | 1            |
| 21.         | 34642A      | Looper Rocker Lever .....            | 1            |
| 22.         | HA20B       | Washer .....                         | 1            |
| 23.         | 22811B      | Screw .....                          | 1            |
| 24.         | 50343B      | Shaft, for looper .....              | 1            |
| 25.         | CO67D       | Cork .....                           | 1            |
| 26.         | 34893       | Oil Seal Plug, front .....           | 1            |
| 27.         | 661-253     | "O" Ring .....                       | 1            |
| 28.         | 50343C      | Looper Rocker Shaft .....            | 1            |
| 29.         | 34342J      | Binder Collar .....                  | 1            |
| 30.         | 22652A12    | Screw .....                          | 1            |
| 31.         | 56390H      | Thrust Washer .....                  | 2            |
| 32.         | 661-252     | Snap Ring .....                      | 1            |
| 33.         | 29105BK     | Looper Eccentric Assembly .....      | 1            |
| 34.         | G29105F     | Drive Lever Crank .....              | 1            |
| 35.         | 22894X      | Screw .....                          | 4            |
| 36.         | 99346       | Set Screw .....                      | 1            |
| 37.         | 50335BE     | Looper Avoid Link .....              | 1            |
| 38.         | 50314G      | Looper Avoid Eccentric .....         | 1            |
| 39.         | SS8660512TP | Screw .....                          | 1            |
| 40.         | 99343       | Screw .....                          | 1            |

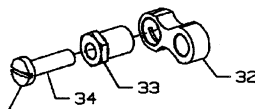
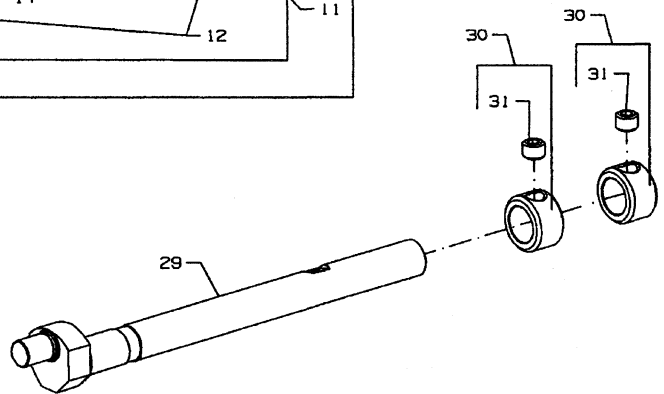
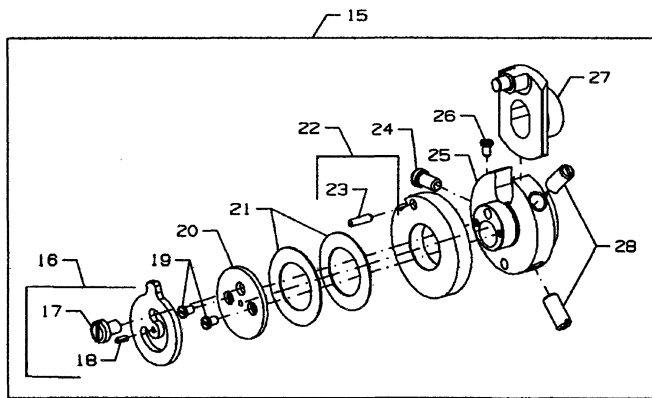
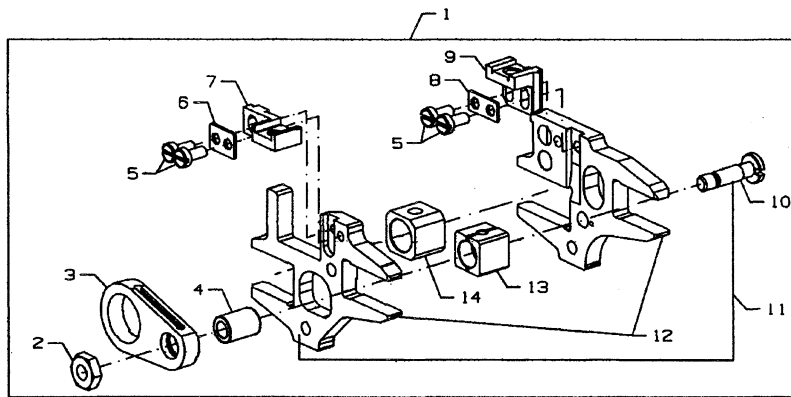




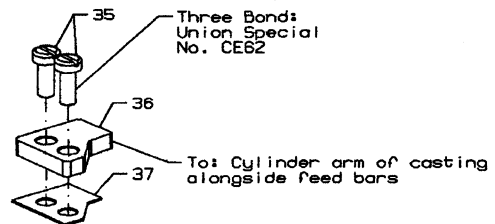
## LOOPER THREAD TAKE -UP & NEEDLE GUARD

| Ref.<br>No. | Part No.    | Description                           | Amt.<br>Req. |
|-------------|-------------|---------------------------------------|--------------|
| 1.          | 29476UA     | Cast-Off Plate Assembly .....         | 1            |
| 2.          | SS7060310SP | Screw .....                           | 2            |
| 3.          | 34358BA     | Thread Guide, left .....              | 1            |
| 4.          | SS4080620TP | Screw .....                           | 2            |
| 5.          | WP0320501SC | Washer .....                          | 2            |
| 6.          | 34358CA     | Thread Guide, right .....             | 1            |
| 7.          | 50357AK     | Cast-Off Plate .....                  | 1            |
| 8.          | RE0900000K0 | Retaining Ring .....                  | 1            |
| 9.          | 50357AH     | Spring .....                          | 1            |
| 10.         | 50357AG     | Holder .....                          | 1            |
| 11.         | 50304M      | Finger .....                          | 1            |
| 12.         | SS7080520SP | Screw .....                           | 2            |
| 13.         | 50357AJ     | Shaft, for cast-off .....             | 1            |
| 14.         | 50325AL     | Needle Guard, front .....             | 1            |
| 15.         | 50325AB     | Holder, for needle guard, front ..... | 1            |
| 16.         | SS8090540SP | Screw .....                           | 1            |
| 17.         | 50325AM     | Holder, for needle guard, rear .....  | 1            |
| 18.         | SS6090440SP | Screw .....                           | 1            |
| 19.         | 50325AN     | Needle Guard, rear .....              | 1            |
| 20.         | 22580       | Screw .....                           | 1            |
| 21.         | 6042A       | Washer .....                          | 1            |
| 22.         | 50333H      | Spacer .....                          | 1            |
| 23.         | 77A         | Screw .....                           | 1            |
| 24.         | 34368       | Fork .....                            | 1            |
| 25.         | 22894AD     | Screw .....                           | 1            |
| 26.         | 34366       | Collar .....                          | 1            |
| 27.         | 22743       | Screw .....                           | 1            |
| 28.         | 50323S      | Take Up .....                         | 1            |
| 29.         | 22894T      | Screw .....                           | 2            |





Torque:  
20-22 in.-lbs  
(2.3-2.5 Nm)

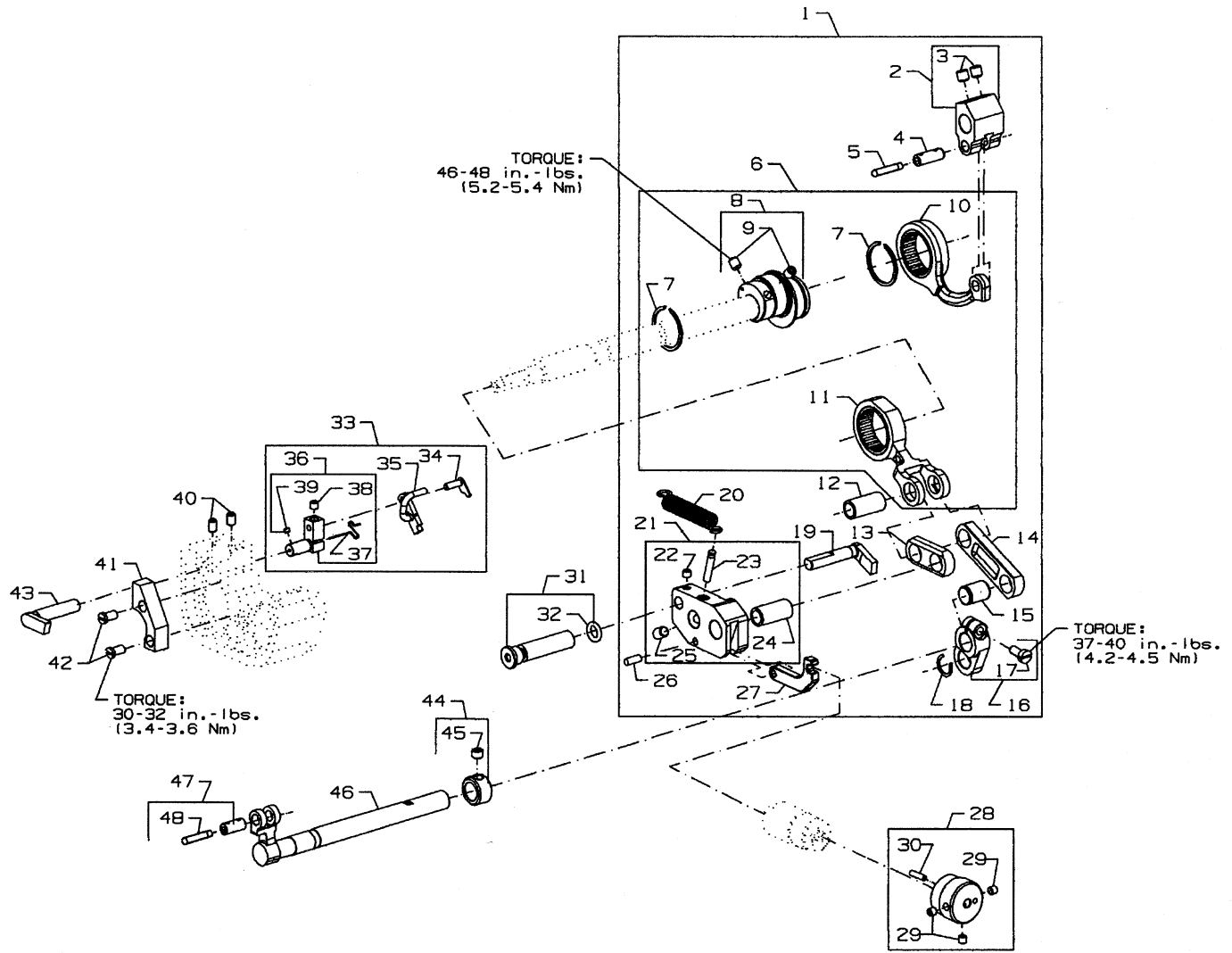




## FEED DRIVE MECHANISM

| Ref.<br>No. | Part No.  | Description                          | Amt.<br>Req. |
|-------------|-----------|--------------------------------------|--------------|
| 1.          | G29476BV  | Feed Bar Assembly .....              | 1            |
| 2.          | 9937      | Nut .....                            | 1            |
| 3.          | 34336N    | Drive Connection .....               | 1            |
| 4.          | 39536C    | Bushing .....                        | 1            |
| 5.          | J87J      | Screw .....                          | 4            |
| 6.          | 50386L    | Thrust Plate, differential .....     | 1            |
| 7.          | 34353A    | Differential Feed Dog Holder .....   | 1            |
| 8.          | 50386M    | Thrust Plate, main .....             | 1            |
| 9.          | 34353     | Main Feed Dog Holder .....           | 1            |
| 10.         | 34336U    | Stud .....                           | 1            |
| 11.         | 29476SH   | Feed Bar Assembly .....              | 1            |
| 12.         | 34334S    | Main and Differential Feed Bar ..... | 1            |
| 13.         | 34338     | Feed Lift Slide Block .....          | 1            |
| 14.         | 34338B    | Sliding Block .....                  | 1            |
| 15.         | GA29477AP | Eccentric Assembly .....             | 1            |
| 16.         | 34336S    | Spacing Stop .....                   | 1            |
| 17.         | 90        | Screw .....                          | 1            |
| 18.         | 96663     | Roll Pin .....                       | 1            |
| 19.         | 22738B    | Screw .....                          | 2            |
| 20.         | 34336RA   | Washer .....                         | 1            |
| 21.         | 97137     | Disc Spring .....                    | 2            |
| 22.         | 34336V    | Cam Disc .....                       | 1            |
| 23.         | 96667     | Roll Pin .....                       | 1            |
| 24.         | 22562A    | Screw .....                          | 1            |
| 25.         | 34336Q    | Guide, for eccentric .....           | 1            |
| 26.         | 22738B    | Screw .....                          | 1            |
| 27.         | 34340A    | Eccentric .....                      | 1            |
| 28.         | 22503F    | Screw .....                          | 2            |
| 29.         | 50322BF   | Feed Lift Shaft .....                | 1            |
| 30.         | 34335J    | Collar .....                         | 2            |
| 31.         | 22894X    | Set Screw .....                      | 2            |
| 32.         | 34336A    | Differential Feed Drive Link .....   | 1            |
| 33.         | 34337F    | Eccentric Bushing .....              | 1            |
| 34.         | 22874C    | Screw .....                          | 1            |
| 35.         | 93        | Screw .....                          | 2            |
| 36.         | 34335G    | Feed Bar Guide .....                 | 1            |
| 37.         | 34382H    | Gasket .....                         | 1            |

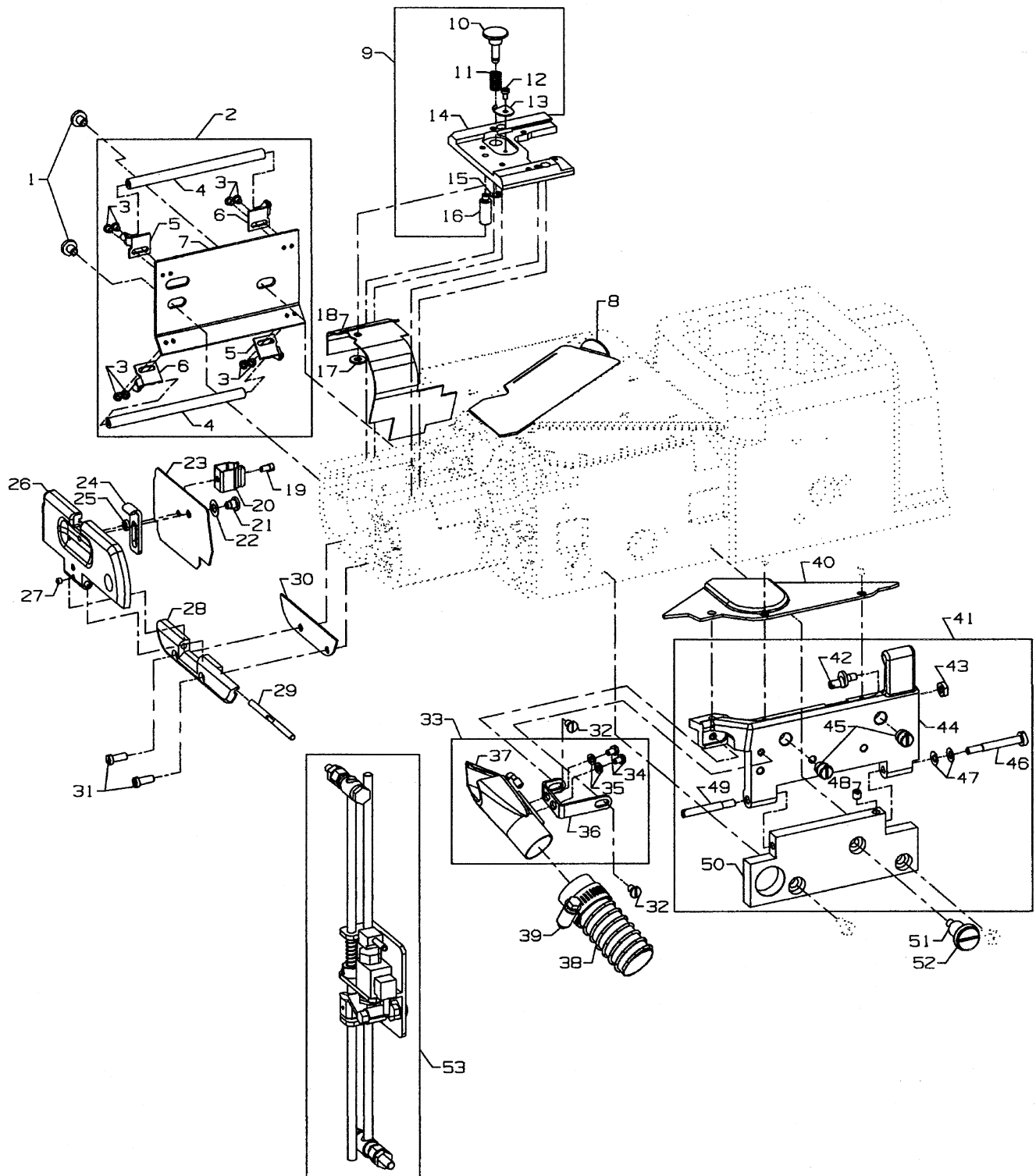




## FEED DRIVE MECHANISM

| Ref.<br>No. | Part No.    | Description                                 | Amt.<br>Req. |
|-------------|-------------|---|--------------|
| 1.          | 29476XT     | Feed Drive Assembly .....                   | 1            |
| 2.          | 50367S      | Feed Lifter Lever .....                     | 1            |
| 3.          | SS8660612TP | Set Screw .....                             | 2            |
| 4.          | G51054      | Link Pin .....                              | 1            |
| 5.          | 666-149     | Felt Wick .....                             | 1            |
| 6.          | 29476SJ     | Feed Bar Subassembly .....                  | 1            |
| 7.          | 999-215     | Snap Ring .....                             | 2            |
| 8.          | 34306D      | Double Eccentric .....                      | 1            |
| 9.          | 22894AD     | Screw .....                                 | 2            |
| 10.         | 34335       | Connecting Rod Link, for feed link .....    | 1            |
| 11.         | 34335A      | Connecting Rod, for differential feed ..... | 1            |
| 12.         | 34337       | Link Pin .....                              | 1            |
| 13.         | 34337A      | Pitman Rod .....                            | 1            |
| 14.         | 34337B      | Connecting Rod .....                        | 1            |
| 15.         | 50347T      | Link Pin .....                              | 1            |
| 16.         | 34337CA     | Differential Feed Drive Lever .....         | 1            |
| 17.         | SS6121010SP | Screw .....                                 | 1            |
| 18.         | RC0980615K0 | Shim Ring .....                             | 1            |
| 19.         | 34335D      | Guide Stud .....                            | 1            |
| 20.         | 96719       | Spring .....                                | 1            |
| 21.         | 50383Y      | Bracket .....                               | 1            |
| 22.         | SS8110422TP | Set Screw .....                             | 1            |
| 23.         | 96865       | Dowel Pin, Grooved .....                    | 1            |
| 24.         | 34337       | Link Pin .....                              | 1            |
| 25.         | SS8150822TP | Set Screw .....                             | 1            |
| 26.         | PH0400104U0 | Hinge Pin .....                             | 1            |
| 27.         | 50367T      | Lever .....                                 | 1            |
| 28.         | 50337AP     | Knob .....                                  | 1            |
| 29.         | SS8110422TP | Set Screw .....                             | 3            |
| 30.         | B3215470000 | Pin .....                                   | 1            |
| 31.         | 50395T      | Stud .....                                  | 1            |
| 32.         | 999-211E    | "O" Ring .....                              | 1            |
| 33.         | 29476TP     | Cast-off Plate Release Assembly .....       | 1            |
| 34.         | 34363C      | Stop .....                                  | 1            |
| 35.         | 34363B      | Pawl .....                                  | 1            |
| 36.         | 34363       | Pawl Support .....                          | 1            |
| 37.         | 34363A      | Spring .....                                | 1            |
| 38.         | 22894W      | Screw .....                                 | 1            |
| 39.         | 28B         | Screw .....                                 | 1            |
| 40.         | 22894BD     | Set Screw .....                             | 2            |
| 41.         | 34335H      | Feed Bar Guide .....                        | 1            |
| 42.         | 22569G      | Screw .....                                 | 2            |
| 43.         | 34335D      | Guide Stud .....                            | 1            |
| 44.         | 34335J      | Collar .....                                | 1            |
| 45.         | 22894X      | Screw .....                                 | 1            |
| 46.         | 34334A      | Feed Drive Shaft .....                      | 1            |
| 47.         | 34336P      | Link Pin .....                              | 1            |
| 48.         | 666-149     | Felt Wick .....                             | 1            |

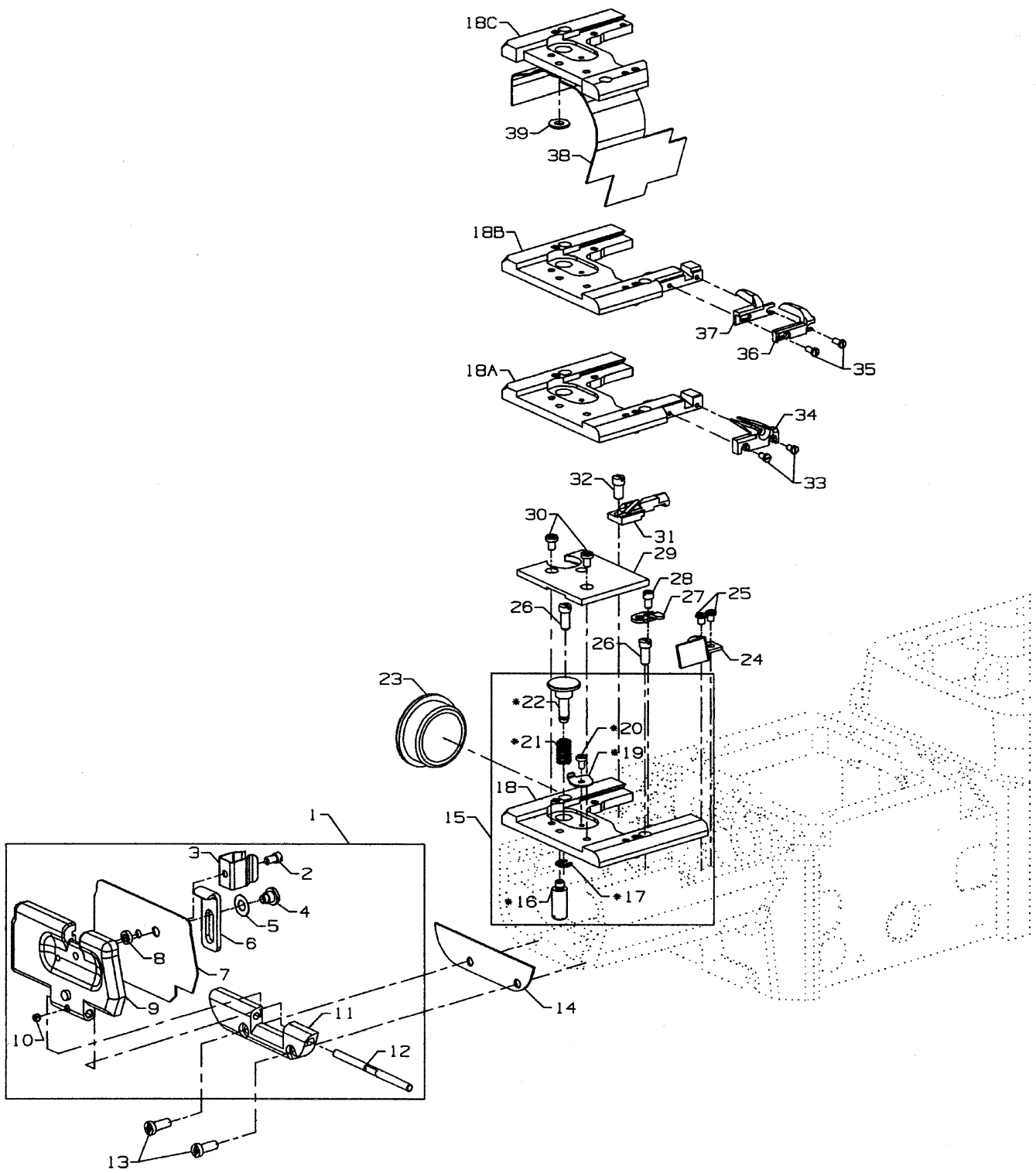




COVERS  
FOR  
CS122E11, CS132E11, CS125E61, CS125E62,  
CS135E61, CS135E62

| Ref.<br>No. | Part No.    | Description                         | Amt.<br>Req. |
|-------------|-------------|-------------------------------------|--------------|
| 1.          | 25S         | Screw .....                         | 2            |
| 2.          | 50389       | Guide Roller Assembly .....         | 1            |
| 3.          | 22561       | Screw .....                         | 8            |
| 4.          | 34786D      | Guide Roller .....                  | 2            |
| 5.          | 34786C      | Bracket, right .....                | 2            |
| 6.          | 34786B      | Bracket, left .....                 | 2            |
| 7.          | 50389A      | Mounting Bracket .....              | 1            |
| 8.          | 50302       | Slide Cover .....                   | 1            |
| 9.          | 29476UN     | Throat Plate Support Assembly ..... | 1            |
| 10.         | 34367       | Rest Bolt .....                     | 1            |
| 11.         | 97014       | Spring .....                        | 1            |
| 12.         | 95685       | Screw .....                         | 1            |
| 13.         | 34367B      | Safety Latch .....                  | 1            |
| 14.         | 34780       | Throat Plate Support .....          | 1            |
| 15.         | 96277       | "E" Ring .....                      | 1            |
| 16.         | 99364L      | Shank Screw .....                   | 1            |
| 17.         | 69H         | Washer .....                        | 1            |
| 18.         | 50396G      | Splash Guard .....                  | 1            |
| 19.         | 22562B      | Screw .....                         | 1            |
| 20.         | 99697J      | Latch Spring .....                  | 1            |
| 21.         | 22746       | Screw, for handle .....             | 1            |
| 22.         | 2165D-0.2   | Washer .....                        | 1            |
| 23.         | 50384F      | Gasket .....                        | 1            |
| 24.         | 34382W      | Handle .....                        | 1            |
| 25.         | C50063N     | Washer .....                        | 1            |
| 26.         | 50382HU     | Cylinder Cover .....                | 1            |
| 27.         | 22894AY     | Set Screw .....                     | 1            |
| 28.         | 50382JA     | Hinge, for cylinder cover .....     | 1            |
| 29.         | 34382V      | Pin, for hinge .....                | 1            |
| 30.         | 34382UA     | Gasket, for hinge .....             | 1            |
| 31.         | 22541B      | Screw, for hinge .....              | 2            |
| 32.         | 376         | Screw .....                         | 2            |
| 33.         | 34778GD     | Suction Tube Assembly .....         | 1            |
| 34.         | 90          | Screw .....                         | 2            |
| 35.         | 80265       | Washer .....                        | 1            |
| 36.         | 34778GF     | Bracket .....                       | 1            |
| 37.         | G50-748D    | Cover .....                         | 1            |
| 38.         | 99675QA-400 | Spiral Hose .....                   | 1            |
| 39.         | 671C23      | Hose Clamp .....                    | 1            |
| 40.         | 50301BW     | Cloth Plate, front .....            | 1            |
| 41.         | 50364X      | Swing Out Cloth Plate Support ..... | 1            |
| 42.         | 99301A      | Screw .....                         | 1            |
| 43.         | 9937        | Nut .....                           | 1            |
| 44.         | 50364Y      | Folder Support .....                | 1            |
| 45.         | 99356       | Stop Screw .....                    | 2            |
| 46.         | 99350       | Screw .....                         | 1            |
| 47.         | 97127       | Cup Spring .....                    | 2            |
| 48.         | 95          | Screw .....                         | 1            |
| 49.         | 99351       | Screw .....                         | 1            |
| 50.         | 50364S      | Hinge Plate .....                   | 1            |
| 51.         | 99392       | Screw .....                         | 1            |
| 52.         | 660-212     | Oil Ring .....                      | 1            |
| 53.         | 29480ARN    | Treadle Assembly .....              | 1            |



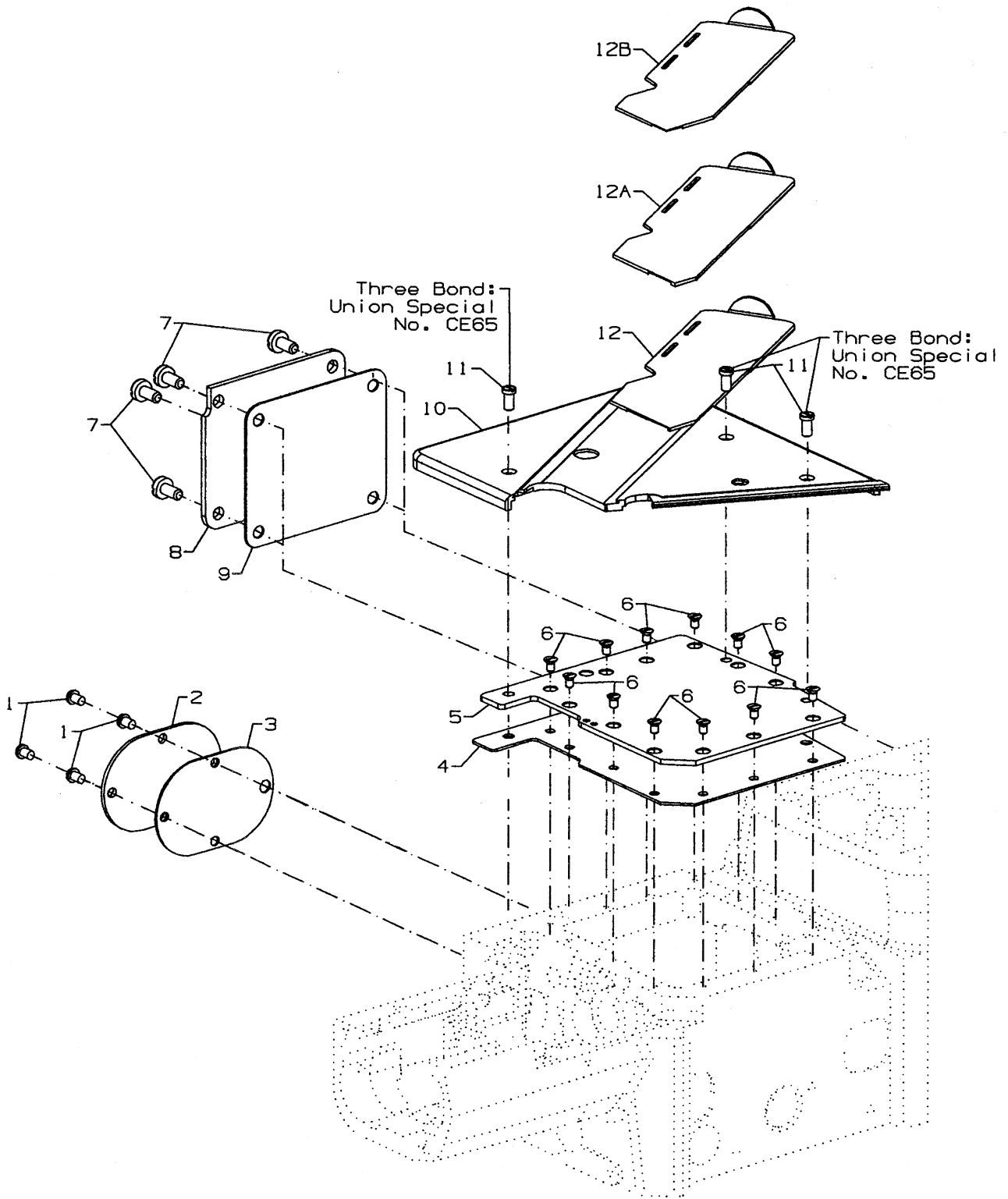


COVERS LOWER BED- FRONT

| Ref. No. | Part No.    | Description  | Amt. Req. |
|----------|-------------|--|-----------|
| 1.       | 29476TU     | Cylinder Cover Assembly .....  | 1         |
| 2.       | 22562B      | Screw .....  | 1         |
| 3.       | 99697J      | Latch Spring .....   | 1         |
| 4.       | 22746       | Screw, for handle .....  | 1         |
| 5.       | 2165D-0.2   | Spring Washer, for handle .....  | 1         |
| 6.       | 34382W      | Handle .....   | 1         |
| 7.       | 50384F      | Gasket .....   | 1         |
| 8.       | C50063N     | Washer .....   | 1         |
| 9.       | 50382FV     | Cylinder Cover .....   | 1         |
| 10.      | 22894AY     | Screw .....  | 1         |
| 11.      | 50382FU     | Hinge, for cylinder cover .....  | 1         |
| 12.      | 34382V      | Pin, for hinge .....   | 1         |
| 13.      | 22541B      | Screw, for hinge .....   | 2         |
| 14.      | 34382UA     | Gasket, for hinge .....  | 1         |
| *15.     | 29476TV     | Throat Plate Support Assembly, for styles CS122H01, CS132H01, CS125H11, CS125H12, CS135H11, CS135H12 ..... | 1         |
| *16.     | 99364L      | Shank Screw .....  | 1         |
| 17.      | 96277       | Retaining Ring .....   | 1         |
| 18.      | 34380       | Throat Plate Support, for styles CS122H01, CS132H01, CS125H11, CS125H12, CS135H11, CS135H12 .....          | 1         |
| 18A.     | 34780CA     | Throat Plate Support, for styles CS122K01, CS132K01 .....  | 1         |
| 18B.     | 34780CB     | Throat Plate Support, for styles CS122K02, CS132K02 .....  | 1         |
| 18C.     | 34380T      | Throat Plate Support, for styles CS122H21, CS132H21 .....  | 1         |
| *19.     | 34367B      | Safety Latch .....   | 1         |
| *20.     | 95685       | Screw .....  | 1         |
| *21.     | 97014       | Spring .....   | 1         |
| 22.      | 34367       | Stop Bolt .....  | 1         |
| 23.      | 50393EU     | Plug, for top .....  | 1         |
| 24.      | 50382GV     | Plate Cover .....  | 1         |
| 25.      | SS6090420SP | Screw, for plate cover .....   | 2         |
| 26.      | J79J        | Screw .....  | 2         |
| 27.      | 34381A      | Support for Slide .....  | 1         |
| 28.      | 91          | Screw, for support for slide .....   | 1         |
| 29.      | 34367A      | Cover, for throat plate support .....  | 1         |
| 30.      | 90          | Screw .....  | 2         |
| 31.      | 34381B      | Rest for Slide .....   | 1         |
| 32.      | 79          | Screw, for rest for slide .....  | 1         |
| 33.      | 605C        | Screw, for material guide, for styles CS122K01, CS132K01 .....   | 1         |
| 34.      | 34703CA     | Material Guide, for styles CS122K01, CS132K01 .....  | 1         |
| 35.      | 605D        | Screw, for material guides, for styles CS122K02, CS132K02 .....  | 1         |
| 36.      | 34703B      | Material Guide, right, for styles CS122K02, CS132K02 .....   | 1         |
| 37.      | 34703A      | Material Guide, left, for styles CS122K02, CS132K02 .....  | 1         |
| 38.      | 50396G      | Splash Guard, for styles CS122H21, CS132H21 .....  | 1         |
| 39.      | 69H         | Washer, for splash guard, for styles CS122H21, CS132H21 .....  | 1         |

**\*NOTE:** For the throat plate support numbers 18A., 18B., 18C., asteric items must be ordered seperately to make a complete throat plate support assembly.



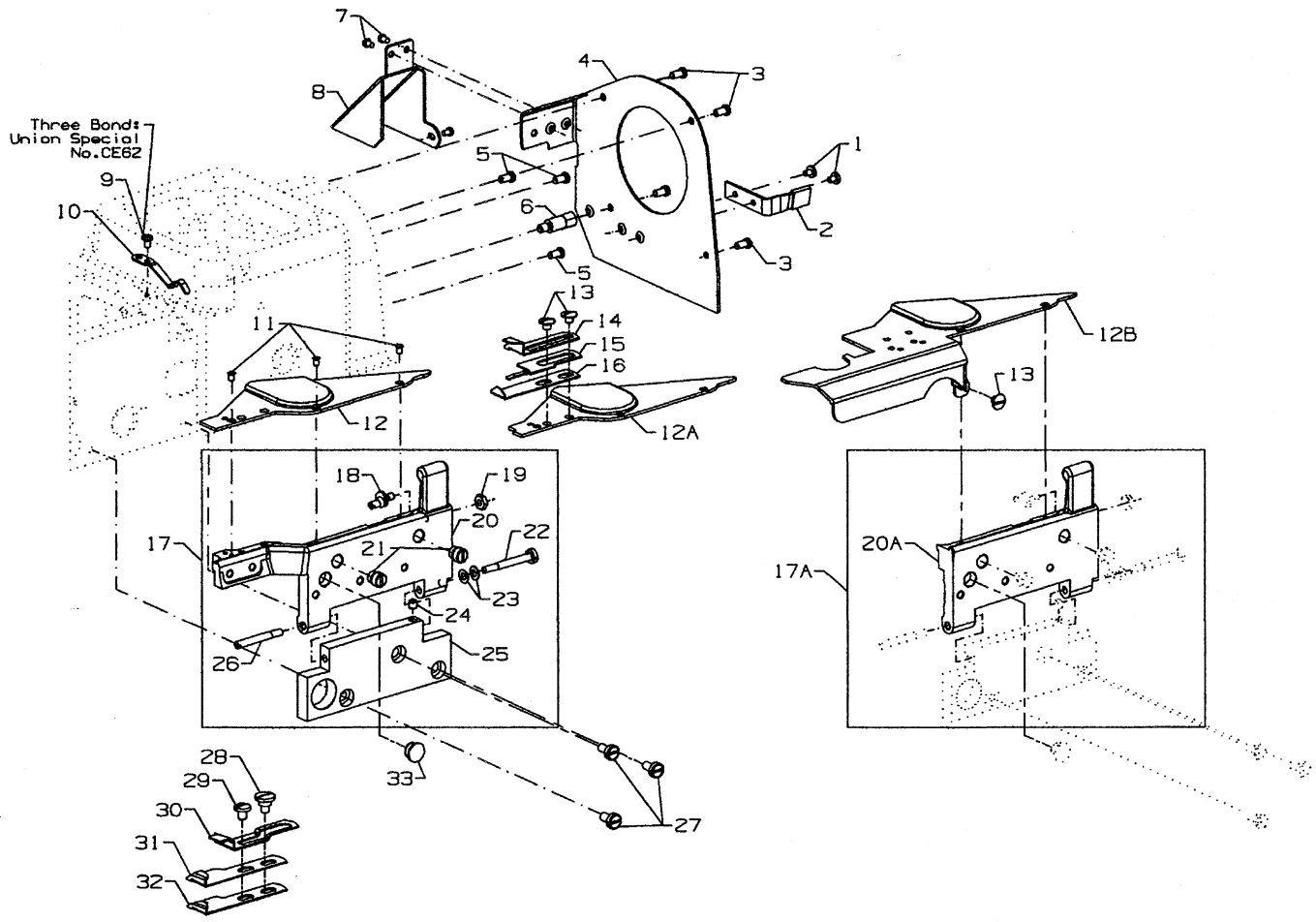




COVERS LOWER BED- MIDDLE

| Ref. No. | Part No.    | Description   | Amt. Req. |
|----------|-------------|---|-----------|
| 1.       | SS4120615SP | Screw .....   | 4         |
| 2.       | 35082E      | Plate .....   | 1         |
| 3.       | 35082F      | Gasket .....  | 1         |
| 4.       | 34382EA     | Gasket, for oil reservoir cover .....   | 1         |
| 5.       | 34382J      | Oil Reservoir Cover .....   | 1         |
| 6.       | 87          | Screw, for oil reservoir cover .....  | 12        |
| 7.       | 22548       | Screw, for chamber cover .....  | 4         |
| 8.       | 56382D      | Chamber Cover .....   | 1         |
| 9.       | 34782C      | Chamber Cover Gasket .....  | 1         |
| 10.      | 50301CP     | Cloth Plate Assembly .....  | 1         |
| 11.      | 22569AH     | Screw, for cloth plate .....  | 3         |
| 12.      | 50382HX     | Slide Cover, for styles CS122H01, CS122K01 CS122K02, CS132H01, CS132K01, CS132K02 ..... | 1         |
| 12A.     | 50302D      | Slide Cover, for styles CS125H11, CS125H12, CS135H11, CS135H12 .....                    | 1         |
| 12B.     | 50302A      | Slide Cover, for styles CS122H21, CS132H21 .....  | 1         |

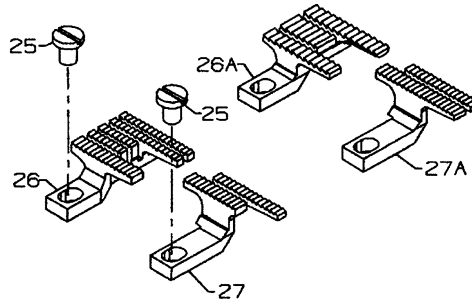
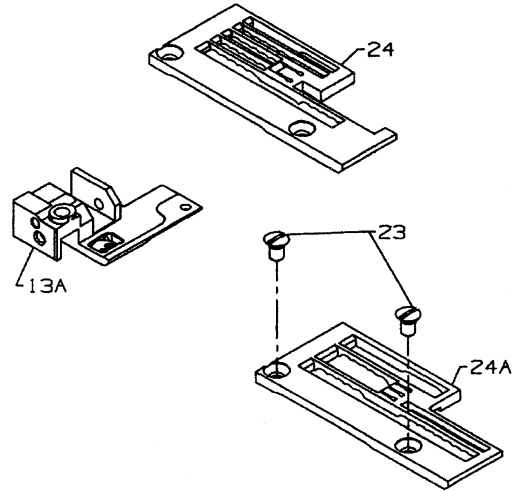
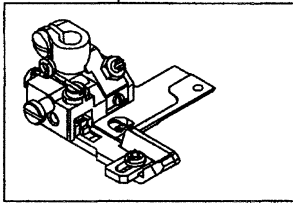
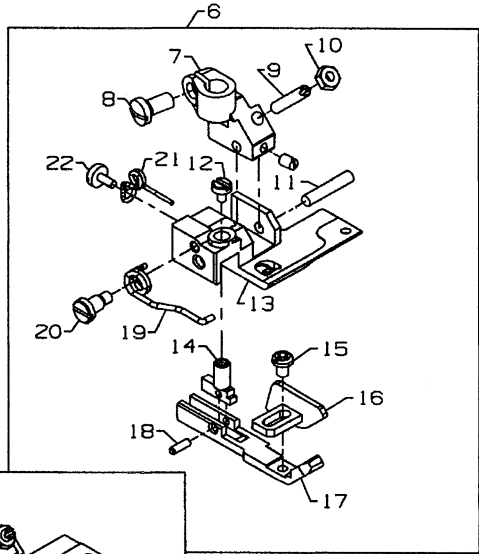
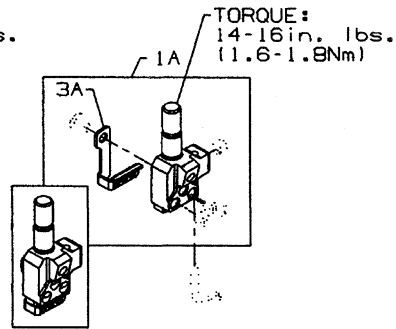
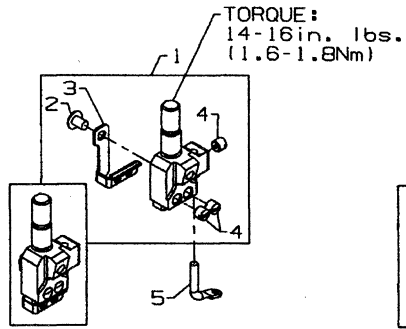




COVERS LOWER BED - REAR

| Ref. No. | Part No.    | Description  | Amt. Req. |
|----------|-------------|--|-----------|
| 1.       | 22585C      | Screw .....  | 2         |
| 2.       | 34767K      | Synchronizer Stop .....  | 1         |
| 3.       | 22569C      | Screw .....  | 4         |
| 4.       | 50395J      | Belt Guard .....   | 1         |
| 5.       | 22757E      | Screw .....  | 3         |
| 6.       | 50395U      | Spacer Stud .....  | 1         |
| 7.       | SS4090515SP | Screw .....  | 3         |
| 8.       | 50382GR     | Belt Guard .....   | 1         |
| 9.       | SM4040655SP | Screw .....  | 1         |
| 10.      | 43281K      | Latch Spring .....   | 1         |
| 11.      | 22766       | Screw .....  | 3         |
| 12.      | 50301BK     | Cloth Plate .....  | 1         |
| 12A.     | 50364VB     | Cloth Plate, for styles CS125H11, CS125H12, CS135H11, CS135H12 .....   | 1         |
| 12B.     | 50301BX     | Cloth Plate, for styles CS122H21, CS132H21 .....   | 1         |
| 13.      | 22730       | Screw, for cloth plate for styles CS122H21, CS132H21 .....   | 3         |
| 14.      | 34703ZA     | Folder Upper, for styles CS122H21, CS132H21 .....  | 1         |
| 15.      | 34703Z      | Folder, for styles CS122H21, CS132H21 .....  | 1         |
| 16.      | 34703ZB     | Folder L, for styles CS122H21, CS132H21 .....  | 1         |
| 17.      | 29476SA     | Swing-Out Cloth Plate Support, for styles CS122H01, CS132H01, CS125H11, CS125H12, CS135H11, CS135H12, CS122K01, CS122K02, CS132K01, CS132K02 ..... | 1         |
| 17A.     | 29476TA     | Swing-Out Cloth Plate Support, for styles CS122H21, CS132H21 .....   | 1         |
| 18.      | 99301A      | Eccentric Screw .....  | 1         |
| 19.      | 9937        | Nut .....  | 1         |
| 20.      | 50364R      | Cloth Plate Support, for styles CS122H01, CS132H01, CS125H11, CS125H12, CS135H11, CS135H12, CS122K01, CS122K02, CS132K01, CS132K02 .....           | 1         |
| 20A.     | 50364Z      | Cloth Plate Support, for styles CS122H21, CS132H21 .....   | 1         |
| 21.      | 99356       | Stop Screw .....   | 2         |
| 22.      | 99350       | Shoulder Screw .....   | 1         |
| 23.      | 97127       | Spring Washer .....  | 2         |
| 24.      | 95          | Set Screw .....  | 1         |
| 25.      | 50364S      | Hinge Plate .....  | 1         |
| 26.      | 99351       | Screw .....  | 1         |
| 27.      | 22548       | Screw .....  | 3         |
| 28.      | 22715A      | Screw, for CS122H01, CS132H01 .....  | 1         |
| 29.      | 25S         | Screw, for CS122H01, CS132H01 .....  | 1         |
| 30.      | 34703F3     | Hemmer, upper, for styles CS122H01, CS132H01 .....   | 1         |
| 31.      | 34703F1     | Hemmer, lower, for styles CS122H01, CS132H01 .....   | 1         |
| 32.      | 34703FA1    | Hemmer, lower, for styles CS122H01, CS132H01 .....   | 1         |
| 33.      | TA1100604R0 | Plug .....   | 1         |





| MODEL         | NEEDLE HEAD | PRESSER FOOT ASSEMBLY | THROAT PLATE | FEED DOG MAIN | FEED DOG DIFFERENTIAL |
|---------------|-------------|-----------------------|--------------|---------------|-----------------------|
| CS125E61-2D40 | 50318AN40   | 34720TB40             | 34724TB40    | 34705BW       | 34726TB10             |
| CS125E61-2D48 | 50318AN48   | 34720TB48             | 34724TB48    |               |                       |
| CS125E61-3D56 | 50318AN56   | 34720TB64             | 34724TB56    | 34705TB       | 34726TB16             |
| CS125E61-3D64 | 50318AN64   |                       | 34724TB64    |               |                       |
| CS135E61-2D40 | 50318AN40   | 34720TB40             | 34724TB40    | 34705BW       | 34726TB10             |
| CS135E61-2D48 | 50318AN48   | 34720TB48             | 34724TB48    |               |                       |
| CS135E61-3D56 | 50318AN56   | 34720TB64             | 34724TB56    | 34705TB       | 34726TB16             |
| CS135E61-3D64 | 50318AN64   |                       | 34724TB64    |               |                       |
| CS125E62-2D40 | 50318AN40   | 34720TB40             | 34724TB40    | 34705BW       | 34726TB10             |
| CS125E62-2D48 | 50318AN48   | 34720TB48             | 34724TB48    |               |                       |
| CS125E62-3D56 | 50318AN56   | 34720TB64             | 34724TB56    | 34705TB       | 34726TB16             |
| CS125E62-3D64 | 50318AN64   |                       | 34724TB64    |               |                       |
| CS135E62-2D40 | 50318AN40   | 34720TB40             | 34724TB40    | 34705BW       | 34726TB10             |
| CS135E62-2D48 | 50318AN48   | 34720TB48             | 34724TB48    |               |                       |
| CS135E62-3D56 | 50318AN56   | 34720TB60             | 34724TB56    | 34705TB       | 34726TB16             |
| CS135E62-3D64 | 50318AN64   |                       | 34724TB64    |               |                       |

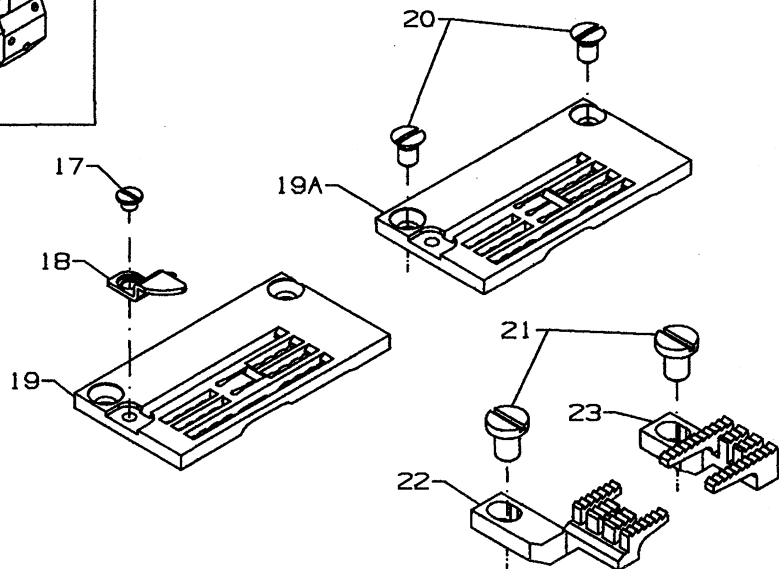
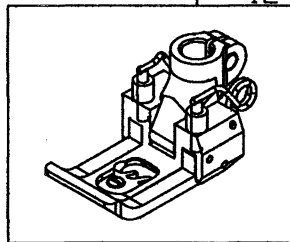
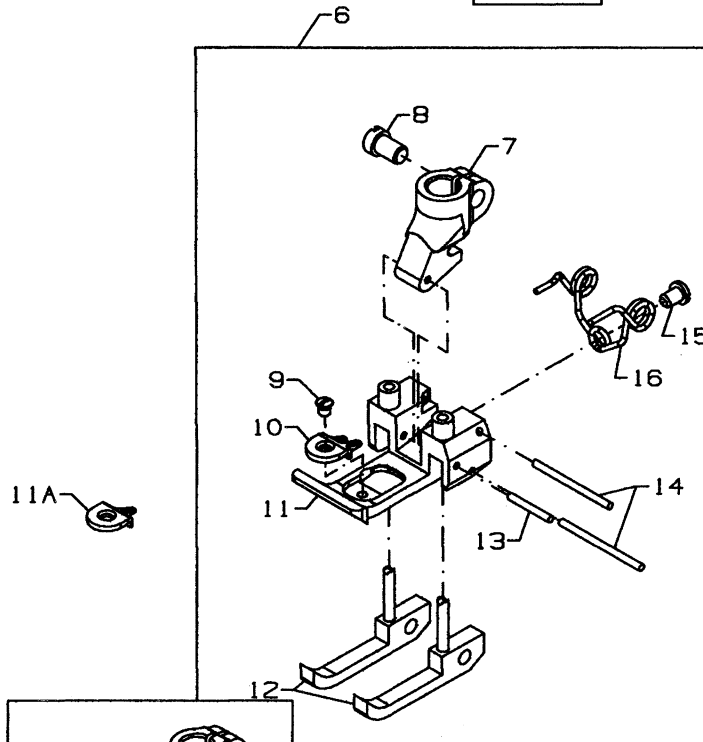
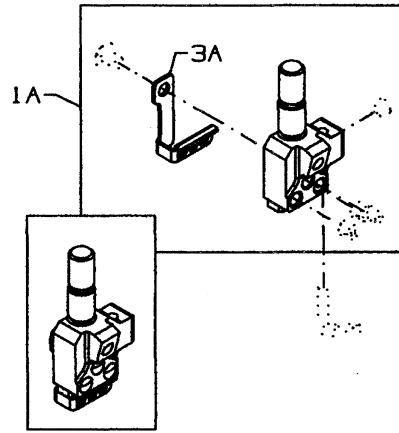
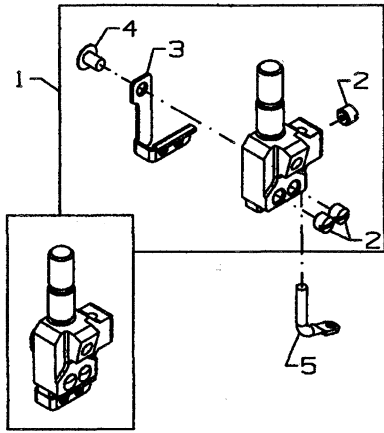


SEWING PARTS  
FOR  
CS122E11, CS125E61, CS125E62,  
CS132E11, CS135E61, CS135E62

| Ref. No. | Part No.    | Description   | Amt. Req. |
|----------|-------------|---|-----------|
| 1.       | -----       | Needle Head, for sewing comb., on two needle machines (see chart) .....             | 1         |
| 1A.      | -----       | Needle Head, for sewing comb., on three needle machines (see chart) .....           | 1         |
| 2.       | SS5060410TP | Screw .....   | 1         |
| 3.       | 50318AE40   | Eyelet, for sewing comb., on two needle machines (see chart) .....                  | 1         |
| 3A.      | 50318AE56   | Eyelet, for sewing comb., on three needle machines (see chart) .....                | 1         |
| 4.       | SS8080310SP | Screw .....   | 3/4       |
| 5.       | 50392G      | Needle Thread Eyelet .....  | 1         |
| 6.       | -----       | Presser Foot Assembly, for sewing comb., on two needle machines (see chart) .....   | 1         |
| 6A.      | -----       | Presser Foot Assembly, for sewing comb., on three needle machines (see chart) ..... | 1         |
| 7.       | 50330FP     | Shank .....   | 1         |
| 8.       | SM7040800SL | Screw .....   | 1         |
| 9.       | 18C1475     | Screw .....   | 1         |
| 10.      | NM6030001SD | Nut .....   | 1         |
| 11.      | PH0300164C0 | Pin .....   | 1         |
| 12.      | 50330FS     | Screw .....   | 1         |
| 13.      | 50330FM40   | Presser Foot Bottom, for sewing comb.; CE11-2D40 (see chart) .....                  | 1         |
| 13A.     | 50330FM48   | Presser Foot Bottom, for sewing comb.; CE11-2D48 (see chart) .....                  | 1         |
| -        | 50330FM56   | Presser Foot Bottom, for sewing comb.; CE11-3D56, CE11-3D64 (see chart) .....       | 1         |
| 14.      | 50330FN     | Yielding Section Shank .....  | 1         |
| 15.      | SM4030455SP | Screw .....   | 1         |
| 16.      | 50330GN     | Elastic Guide .....   | 1         |
| 17.      | 50330GR     | Yielding Section .....  | 1         |
| 18.      | PH0200063C0 | Pin .....   | 1         |
| 19.      | 52730Y      | Spring .....  | 1         |
| 20.      | 18C1479     | Shoulder Screw .....  | 1         |
| 21.      | 50330FR     | Torsion Spring .....  | 1         |
| 22.      | 50330FU     | Screw .....   | 1         |
| 23.      | 87          | Screw .....   | 2         |
| 24.      | -----       | Throat Plate, for two needle machines (see chart) .....                             | 1         |
| 24A.     | -----       | Throat Plate, for three needle machines (see chart) .....                           | 1         |
| 25.      | 99293       | Screw .....   | 2         |
| 26.      | -----       | Main Feed Dog, for two needle machines (see chart) .....                            | 1         |
| 26A.     | -----       | Main Feed Dog, for three needle machines (see chart) .....                          | 1         |
| 27.      | -----       | Differential Feed Dog, for two needle machines (see chart) .....                    | 1         |
| 27A.     | -----       | Differential Feed Dog, for three needle machines (see chart) .....                  | 1         |

| MODEL         | NEEDLE HEAD | PRESSER FOOT ASSEMBLY | THROAT PLATE | FEED DOG MAIN | FEED DOG DIFFERENTIAL |
|---------------|-------------|-----------------------|--------------|---------------|-----------------------|
| CS122E11-2D40 | 50318AN40   | 34720TB40             | 34724TB40    | 34705BW       | 34726TB10             |
| CS122E11-2D48 | 50318AN48   | 34720TB48             | 34724TB48    |               |                       |
| CS122E11-3D56 | 50318AN56   | 34720TB64             | 34724TB56    | 34705TB       | 34726TB16             |
| CS122E11-3D64 | 50318AN64   |                       | 34724TB64    |               |                       |
| CS132E11-2D40 | 50318AN40   | 34720TB40             | 34724TB40    | 34705BW       | 34726TB10             |
| CS132E11-2D48 | 50318AN48   | 34720TB48             | 34724TB48    |               |                       |
| CS132E11-3D56 | 50318AN56   | 34720TB64             | 34724TB56    | 34705TB       | 34726TB16             |
| CS132E11-3D64 | 50318AN64   |                       | 34724TB64    |               |                       |



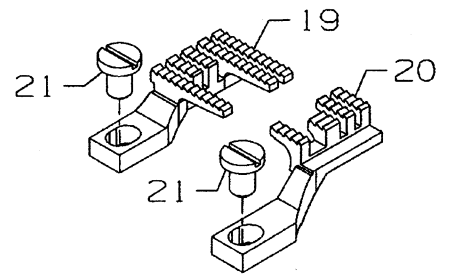
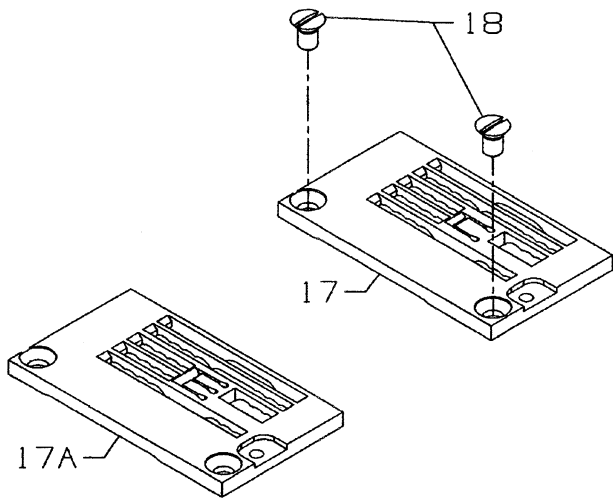
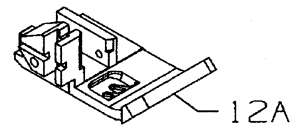
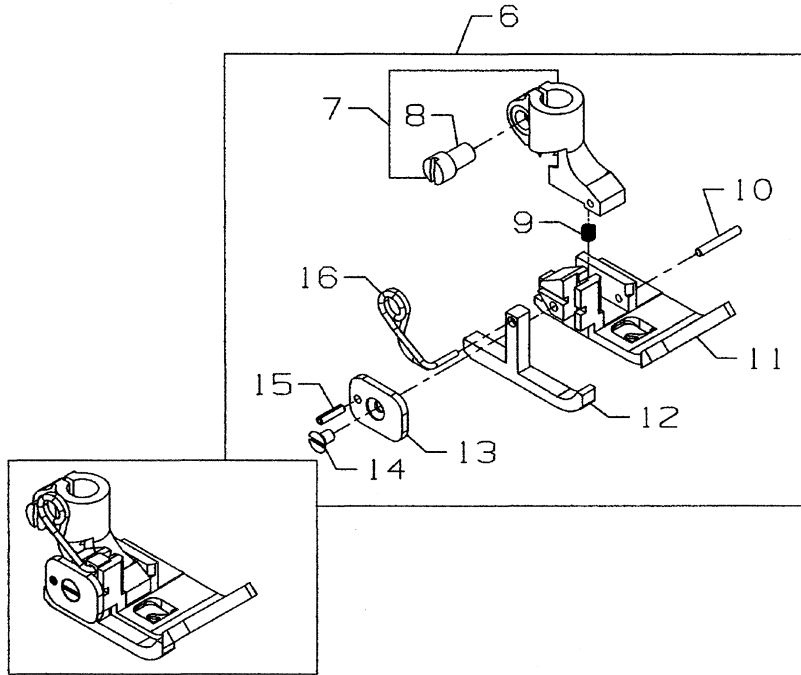
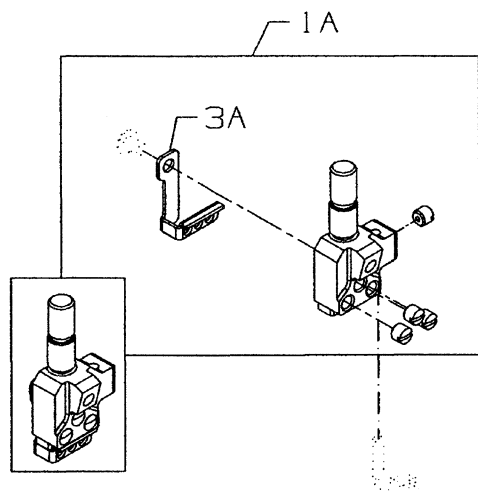
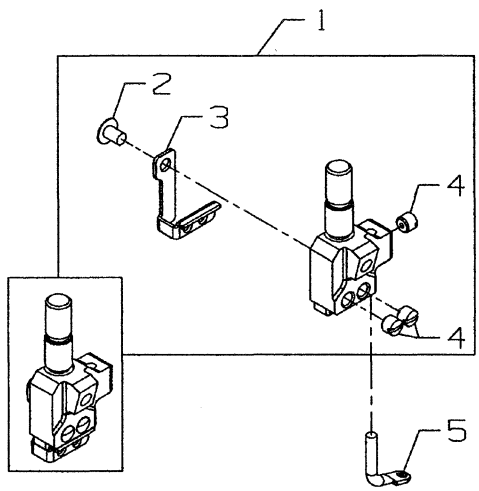


SEWING PARTS  
FOR CS122H01, CS132H01

| Ref. No. | Part No.    | Description  | Amt. Req. |
|----------|-------------|--|-----------|
| 1.       | -----       | Needle Head, on two needle machines, (see chart) .....     | 1         |
| 1A.      | -----       | Needle Head, on three needle machines, (see chart) .....   | 1         |
| 2.       | SS5060410SP | Set Screw .....  | 3/4       |
| 3.       | 50318AE40   | Eyelet, for 4.0, 4.8 gauges (see chart) .....              | 1         |
| 3A.      | 50318AE56   | Eyelet, for 5.6, 6.4 gauges (see chart) .....              | 1         |
| 4.       | SS6060440TP | Screw .....  | 1         |
| 5.       | 50392G      | Needle Thread Eyelet .....                                 | 1         |
| 6.       | -----       | Presser Foot Assembly, for sewing comb., (see chart) ..... | 1         |
| 7.       | G65-134     | Presser Foot Shank .....                                   | 1         |
| 8.       | 91          | Screw .....  | 1         |
| 9.       | G50-266     | Bushing .....  | 2         |
| 10.      | 22716A      | Screw .....  | 1         |
| 11.      | 50397A48    | Stitch Tongue, for 4.8 gauge .....                         | 1         |
| 11A.     | 50397C      | Stitch Tongue, for 4.0 gauge .....                         | 1         |
| -        | 50397A16    | Stitch Tongue, for 5.6, 6.4 gauges .....                   | 1         |
| 12.      | 50330BL16   | Presser Foot Bottom .....                                  | 1         |
| 13.      | 57830A      | Yielding Section .....                                     | 2         |
| 14.      | 6-25-55     | Drill Rod .....  | 3         |
| 15.      | 605         | Screw .....  | 1         |
| 16.      | 79633       | Spring .....   | 1         |
| 17.      | HT2C        | Screw .....  | 1         |
| 18.      | 34703W2.3   | Throat Plate Edge Guide .....                              | 1         |
| -        | 34703W4.3   | Throat Plate Edge Guide .....                              | 1         |
| 19.      | -----       | Throat Plate, for two needle machines (see chart) .....    | 1         |
| 19A.     | -----       | Throat Plate, for three needle machines (see chart) .....  | 1         |
| 20.      | 87          | Screw, for throat plate .....                              | 2         |
| 21.      | 99293       | Screw, for feed dogs .....                                 | 1         |
| 22.      | -----       | Differential Feed Dog (see chart) .....                    | 2         |
| 23.      | -----       | Main Feed Dog (see chart) .....                            | 1         |

| MODEL         | NEEDLE HEAD | PRESSER FOOT ASSEMBLY | THROAT PLATE | FEED DOG MAIN | FEED DOG DIFFERENTIAL |        |        |
|---------------|-------------|-----------------------|--------------|---------------|-----------------------|--------|--------|
| CS122H01-2A40 | 50318AN40   | 50320AH               | 50324BL40    | 34705F        | 34726F                |        |        |
| CS122H01-2C40 |             |                       | 34724F10     |               |                       |        |        |
| CS122H01-2A48 | 50318AN48   | 50320T48              | 50328BL48    |               |                       |        |        |
| CS122H01-2C48 |             |                       | 50324F48     |               |                       |        |        |
| CS122H01-3A56 | 50318AN56   | 50320T60              | 50324BL56    |               |                       |        |        |
| CS122H01-3B56 |             |                       | 50324BS56    |               |                       |        |        |
| CS122H01-3C56 |             |                       | 34724F56     |               |                       |        |        |
| CS122H01-3A64 | 50318AN64   | 50320T60              | 50324BL64    |               |                       |        |        |
| CS122H01-3B64 |             |                       | 50324BS64    |               |                       |        |        |
| CS122H01-3C64 |             |                       | 34724F64     |               |                       |        |        |
| CS132H01-2A40 | 50318AN40   | 50320AH               | 50324BL40    |               |                       | 34705F | 34726F |
| CS132H01-2C40 |             |                       | 34724F10     |               |                       |        |        |
| CS132H01-2A48 | 50318AN48   | 50320T48              | 50328BL48    |               |                       |        |        |
| CS132H01-2C48 |             |                       | 50324F48     |               |                       |        |        |
| CS132H01-3A56 | 50318AN56   | 50320T60              | 50324BL56    |               |                       |        |        |
| CS132H01-3B56 |             |                       | 50324BS56    |               |                       |        |        |
| CS132H01-3C56 |             |                       | 34724F56     |               |                       |        |        |
| CS132H01-3A64 | 50318AN64   | 50320T60              | 50324BL64    |               |                       |        |        |
| CS132H01-3B64 |             |                       | 50324BS64    |               |                       |        |        |
| CS132H01-3C64 |             |                       | 34724F64     |               |                       |        |        |







SEWING PARTS  
FOR  
CS125H11, CS125H12, CS135H11, CS135H12

| Ref.<br>No. | Part No.    | Description  | Amt.<br>Req. |
|-------------|-------------|--|--------------|
| 1.          | -----       | Needle Head, for two needle machines (see chart pages 50-51) .....       | 1            |
| 1A.         | -----       | Needle Head, for three needle machines (see chart pages 50-51) .....     | 1            |
| 2.          | SS8080310TP | Screw .....  | 1            |
| 3.          | 50318AE40   | Needle Eyelet, for 4.0, 4.8 gauges .....                                 | 1            |
| 3A.         | 50318AE56   | Needle Eyelet, for 5.6, 6.4 gauges .....                                 | 1            |
| 4.          | SS5060410SP | Screw .....  | 3 / 4        |
| 5.          | 50392G      | Needle Thread Eyelet .....   | 1            |
| 6.          | -----       | Presser Foot Assembly, for 4.0, 4.8 gauges (see chart pages 50-51) ..... | 1            |
| -           | -----       | Presser Foot Assembly, for 5.6, 6.4 gauges (see chart pages 50-51) ..... | 1            |
| 7.          | G57730GB    | Shank .....  | 1            |
| 8.          | 91          | Screw .....  | 1            |
| 9.          | 39568J      | Pressure Spring .....  | 1            |
| 10.         | 61330B41    | Pin .....  | 1            |
| 11.         | 50330BH40   | Presser Foot Bottom, for 4.0, 4.8 gauges .....                           | 1            |
| 11A.        | 50330BH64   | Presser Foot Bottom, for 5.6, 6.4 gauges .....                           | 1            |
| 12.         | 34730A      | Yielding Section .....   | 1            |
| 13.         | G57730GC    | Plate .....  | 1            |
| 14.         | 22716       | Screw .....  | 1            |
| 15.         | 96651       | Roll Pin .....   | 1            |
| 16.         | G57730GD    | Torsion Spring .....   | 1            |
| 17.         | -----       | Throat Plate, for two needle machines (see chart pages 50-51) .....      | 1            |
| 17A.        | -----       | Throat Plate, for three needle machines (see chart pages 50-51) .....    | 1            |
| 18.         | 87          | Screw, for throat plates .....   | 2            |
| 19.         | -----       | Main Feed Dog (see chart pages 50-51) .....                              | 1            |
| 20.         | -----       | Differential Feed Dog (see chart pages 50-51) .....                      | 1            |
| 21.         | 99293       | Screw, for feed dogs .....   | 2            |



SEWING CHART  
FOR  
CS125H11, CS135H11

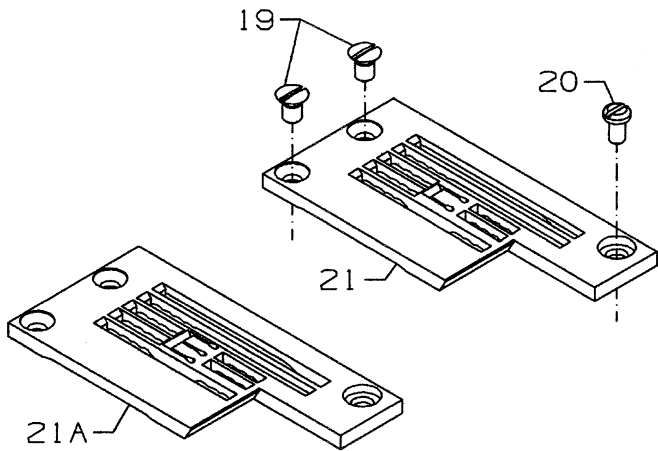
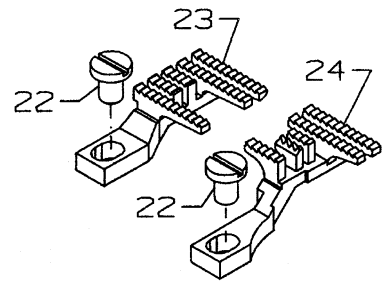
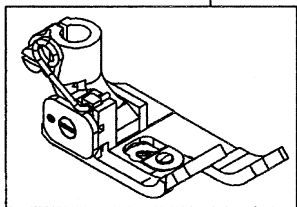
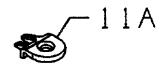
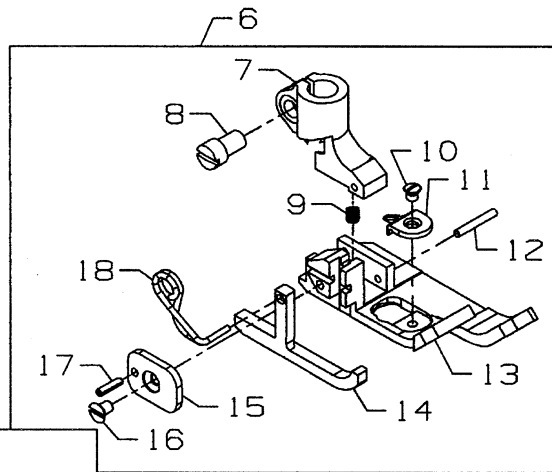
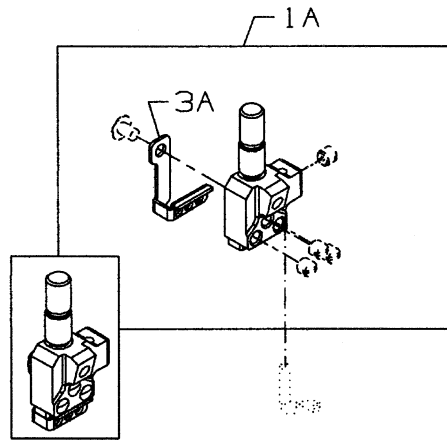
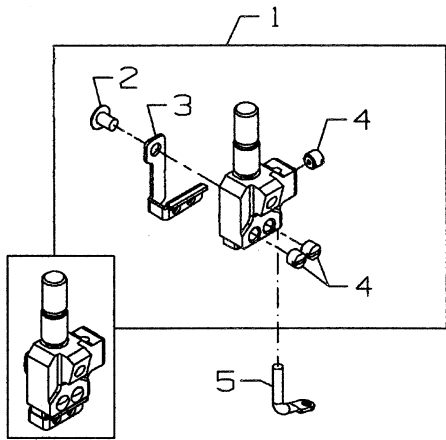
| MODEL         | NEEDLE HEAD | PRESSER FOOT ASSEMBLY | THROAT PLATE | FEED DOG MAIN | FEED DOG DIFFERENTIAL |
|---------------|-------------|-----------------------|--------------|---------------|-----------------------|
| CS125H11-2A40 | 50318AN40   | 50320BE40             | 50324CJ40    | 34705DG       | 34726DG               |
| CS125H11-2C40 |             |                       | 34724E10     |               |                       |
| CS125H11-2A48 | 50324CJ48   |                       |              |               |                       |
| CS125H11-2C48 | 34724E48    |                       |              |               |                       |
| CS125H11-3A56 | 50318AN56   | 50320BF64             | 50324CK56    |               |                       |
| CS125H11-3B56 |             |                       | 50324CL56    |               |                       |
| CS125H11-3C56 | 34724E56    |                       |              |               |                       |
| CS125H11-3A64 | 50318AN64   |                       | 50324CK64    |               |                       |
| CS125H11-3B64 |             | 50324CL64             |              |               |                       |
| CS125H11-3C64 |             | 34724E64              |              |               |                       |
| CS135H11-2A40 |             | 50324CJ40             |              |               |                       |
| CS135H11-2C40 | 50318AN40   | 50320BE40             | 34724E10     |               |                       |
| CS135H11-2A48 |             |                       | 50324CJ48    |               |                       |
| CS135H11-2C48 | 34724E48    |                       |              |               |                       |
| CS135H11-3A56 | 50318AN56   |                       | 50320BF64    |               |                       |
| CS135H11-3B56 |             | 50324CL56             |              |               |                       |
| CS135H11-3C56 | 34724E56    |                       |              |               |                       |
| CS135H11-3A64 | 50318AN64   | 50324CK64             |              |               |                       |
| CS135H11-3B64 |             | 50324CL56             |              |               |                       |
| CS135H11-3C64 |             | 34724E64              |              |               |                       |



SEWING CHART  
FOR  
CS125H12, CS135H12

| MODEL         | NEEDLE HEAD | PRESSER FOOT ASSEMBLY | THROAT PLATE | FEED DOG MAIN | FEED DOG DIFFERENTIAL |
|---------------|-------------|-----------------------|--------------|---------------|-----------------------|
| CS125H12-2A40 | 50318AN40   | 50320BE40             | 50324CJ40    | 34705DG       | 34726DG               |
| CS125H12-2C40 |             |                       | 34724E10     |               |                       |
| CS125H12-2A48 | 50318AN48   |                       | 50324CJ48    |               |                       |
| CS125H12-2C48 |             |                       | 34724E48     |               |                       |
| CS125H12-3A56 | 50318AN56   | 50320BF64             | 50324CK56    |               |                       |
| CS125H12-3B56 |             |                       | 50324CL56    |               |                       |
| CS125H12-3C56 |             |                       | 34724E56     |               |                       |
| CS125H12-3A64 | 50318AN64   |                       | 50324CK64    |               |                       |
| CS125H12-3B64 |             |                       | 50324CL64    |               |                       |
| CS125H12-3C64 |             |                       | 34724E64     |               |                       |
| CS135H12-2A40 | 50318AN40   | 50320BE40             | 50324CJ40    |               |                       |
| CS135H12-2C40 | 50318AN48   |                       | 34724E10     |               |                       |
| CS135H12-2A48 |             |                       | 50324CJ48    |               |                       |
| CS135H12-2C48 | 34724E48    |                       |              |               |                       |
| CS135H12-3A56 | 50318AN56   | 50320BF64             | 50324CK56    |               |                       |
| CS135H12-3B56 |             |                       | 50324CL56    |               |                       |
| CS135H12-3C56 |             |                       | 34724E56     |               |                       |
| CS135H12-3A64 | 50318AN64   |                       | 50324CK64    |               |                       |
| CS135H12-3B64 |             |                       | 50324CL56    |               |                       |
| CS135H12-3C64 |             |                       | 34724E64     |               |                       |



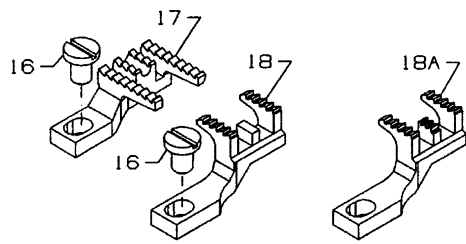
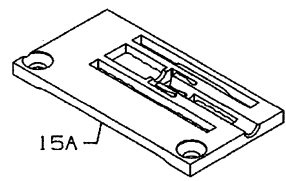
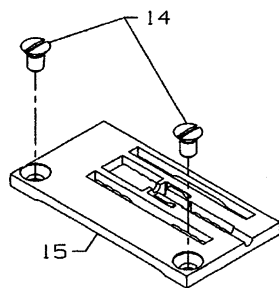
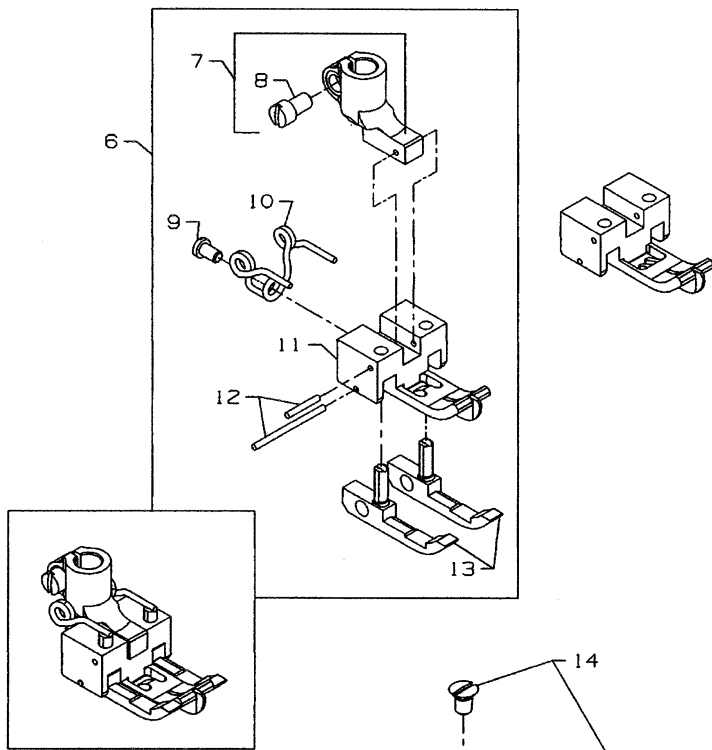
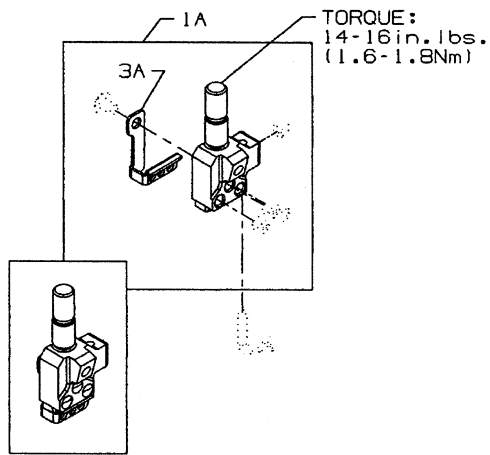
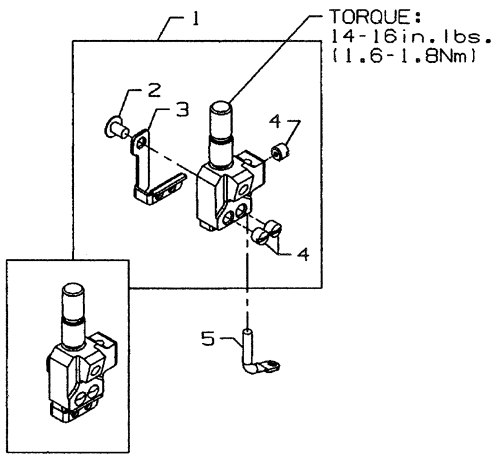


SEWING PARTS  
FOR  
CS122H21, CS132H21

| Ref.<br>No. | Part No.    | Description   | Amt.<br>Req. |
|-------------|-------------|---|--------------|
| 1.          | -----       | Needle Head, for sewing comb., on two needle machines (see chart) .....   | 1            |
| 1A.         | -----       | Needle Head, for sewing comb., on three needle machines (see chart) ..... | 1            |
| 2.          | SS6066440TP | Screw .....   | 1            |
| 3.          | 50318AE40   | Eyelet, for 4.0, 4.8 gauges .....   | 1            |
| 3A.         | 50318AE56   | Eyelet, for 5.6, 6.4 gauges .....   | 1            |
| 4.          | SS8080310TP | Screw .....   | 3/4          |
| 5.          | 50392G      | Needle Thread Eyelet .....  | 1            |
| 6.          | -----       | Presser Foot Assembly, for sewing comb. (see chart) .....                 | 1            |
| 7.          | G57730GB    | Presser Foot Shank .....  | 1            |
| 8.          | 91          | Screw .....   | 1            |
| 9.          | 39568J      | Spring .....  | 1            |
| 10.         | 22716A      | Screw .....   | 1            |
| 11.         | 50397C      | Stitch Tongue .....   | 1            |
| 11A.        | 50397A16    | Stitch Tongue .....   | 1            |
| 12.         | 61330B42    | Drill Rod .....   | 1            |
| 13.         | 50330DU64   | Presser Foot Bottom .....   | 1            |
| 14.         | 34730AT     | Yielding Section .....  | 1            |
| 15.         | G57730GC    | Plate .....   | 1            |
| 16.         | 22716       | Screw .....   | 1            |
| 17.         | 96651       | Roll Pin .....  | 1            |
| 18.         | G57730GD    | Spring .....  | 1            |
| 19.         | 87          | Screw, for throat plate .....   | 3            |
| 20.         | 22768       | Screw, for throat plate .....   | 1            |
| 21.         | -----       | Throat Plate, for two needle machines (see chart) .....                   | 1            |
| 21A.        | -----       | Throat Plate, for three needle machines (see chart) .....                 | 1            |
| 22.         | 99293       | Screw, for feed dogs .....  | 2            |
| 23.         | -----       | Differential Feed Dog (see chart) .....                                   | 1            |
| 24.         | -----       | Main Feed Dog (see chart) .....   | 1            |

| MODEL         | NEEDLE HEAD | PRESSER FOOT ASSEMBLY | THROAT PLATE | FEED DOG MAIN | FEED DOG DIFFERENTIAL |           |
|---------------|-------------|-----------------------|--------------|---------------|-----------------------|-----------|
| CS122H21-2A40 | 50318AN40   | 50320GE40             | 34724FR40    | 34705FT       | 34726FT               |           |
| CS122H21-2C40 |             |                       | 34724FT40    |               |                       |           |
| CS122H21-2A48 | 50318AN48   |                       | 34724FR48    |               |                       |           |
| CS122H21-2C48 |             |                       | 34724FT48    |               |                       |           |
| CS122H21-3A56 | 50318AN56   | 50320BG64             | 34724FR56    |               |                       |           |
| CS122H21-3B56 |             |                       | 34724FS56    |               |                       |           |
| CS122H21-3C56 |             |                       | 34724FT56    |               |                       |           |
| CS122H21-3A64 |             |                       | 50318AN64    |               |                       | 34724FR64 |
| CS122H21-3B64 | 34724FS64   |                       |              |               |                       |           |
| CS122H21-3C64 | 34724FT64   |                       |              |               |                       |           |
| CS132H21-2A40 | 50318AN40   |                       |              |               |                       | 50320BG40 |
| CS132H21-2C40 | 50318AN48   |                       | 34724FT40    |               |                       |           |
| CS132H21-2A48 |             | 34724FR48             |              |               |                       |           |
| CS132H21-2C48 | 34724FT48   |                       |              |               |                       |           |
| CS132H21-3A56 | 50318AN56   | 50320BG64             | 34724FR56    |               |                       |           |
| CS132H21-3B56 |             |                       | 34724FS56    |               |                       |           |
| CS132H21-3C56 |             |                       | 34724FT56    |               |                       |           |
| CS132H21-3A64 |             |                       | 50318AN64    | 34724FR64     |                       |           |
| CS132H21-3B64 | 34724FS64   |                       |              |               |                       |           |
| CS132H21-3C64 | 34724FT64   |                       |              |               |                       |           |



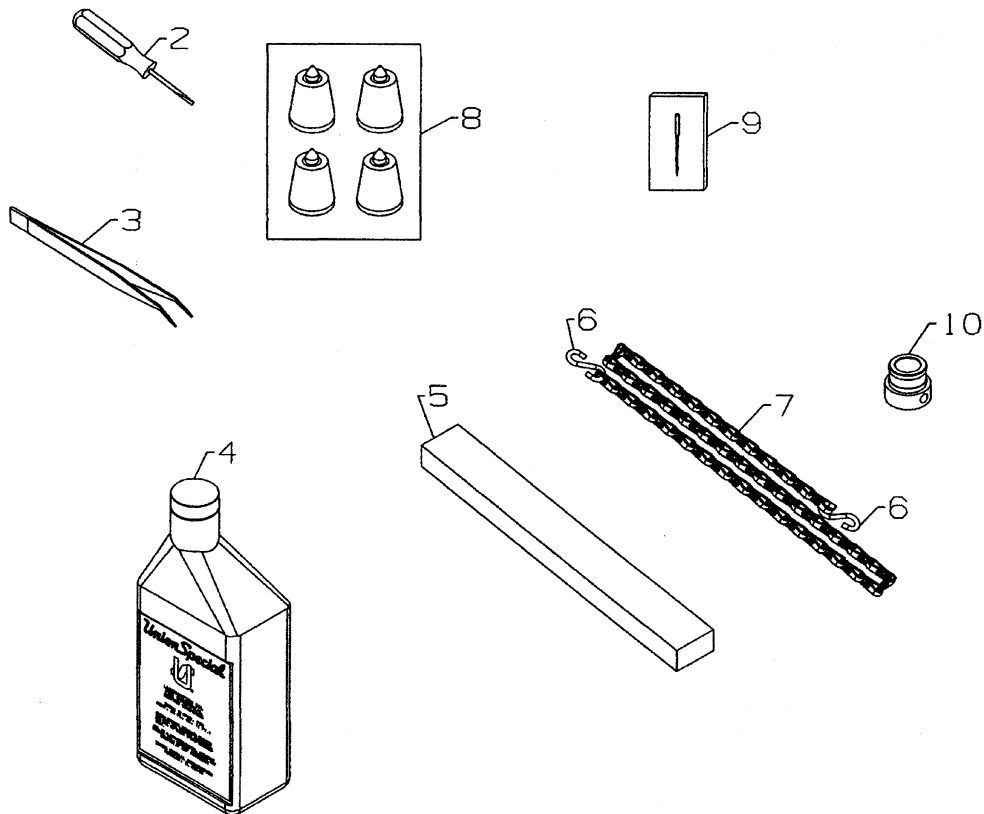
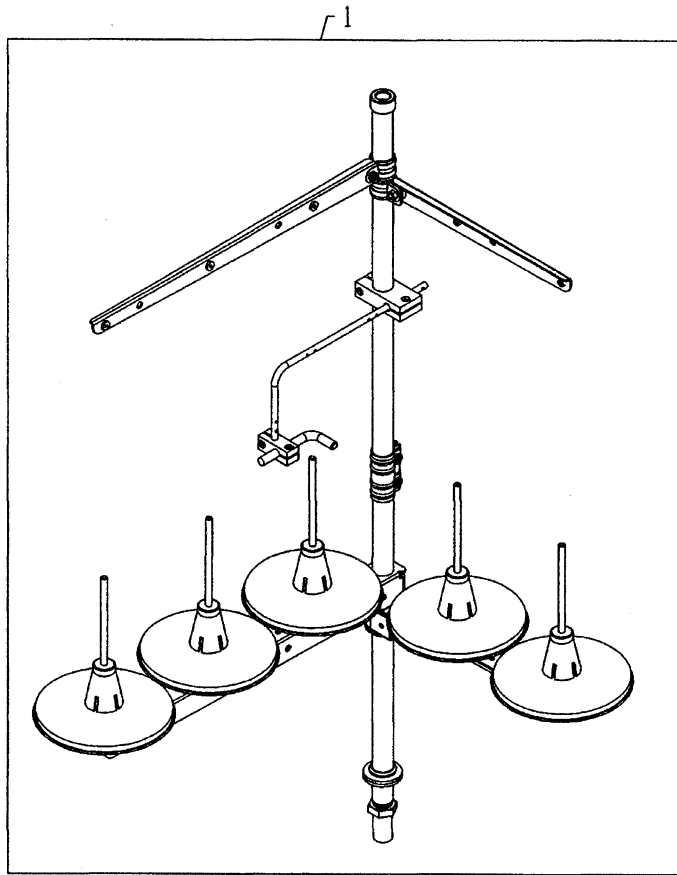


SEWING PARTS  
FOR CS122K01, CS122K02  
CS132K01, CS132K02

| Ref. No. | Part No.    | Description   | Amt. Req. |
|----------|-------------|---|-----------|
| 1.       | -----       | Needle Head, for two needle machines (see chart) .....          | 1         |
| 1A.      | -----       | Needle Head, for three needle machines (see chart) .....        | 1         |
| 2.       | SS6066440TP | Screw .....   | 1         |
| 3.       | 50318AE40   | Eyelet, for 4.8 gauge .....                                     | 1         |
| 3A.      | 50318AE56   | Eyelet, for 5.6, 6.4 gauges .....                               | 1         |
| 4.       | SS8080310TP | Set Screw .....   | 4-6       |
| 5.       | 50392G      | Needle Thread Eyelet .....                                      | 1         |
| 6.       | -----       | Presser Foot, for sewing comb., (see chart) .....               | 1         |
| 7.       | 31130A      | Presser Foot Shank .....  | 1         |
| 8.       | 91          | Screw .....   | 1         |
| 9.       | 605C        | Screw .....   | 1         |
| 10.      | G11940      | Spring .....  | 1         |
| 11.      | G65-90      | Presser Foot Guide .....  | 1         |
| 12.      | 6-25-55     | Drill Rod .....   | 2         |
| 13.      | 31130RA     | Yielding Section .....  | 2         |
| 14.      | 87          | Counter Sunk Head Screw, for throat plate .....                 | 2         |
| 15.      | -----       | Throat Plate, for two needle machines (see chart) .....         | 1         |
| 15A.     | -----       | Throat Plate, for three needle machines (see chart) .....       | 1         |
| 16.      | 99293       | Screw, for feed dogs .....                                      | 1         |
| 17.      | -----       | Main Feed Dog (see chart) .....                                 | 1         |
| 18.      | -----       | Differential Feed Dog, for CS122K01, CS132K01 (see chart) ..... | 1         |
| 18A.     | -----       | Differential Feed Dog, for CS122K02, CS132K02 (see chart) ..... | 1         |

| MODEL         | NEEDLE HEAD | PRESSER FOOT ASSEMBLY | THROAT PLATE | FEED DOG MAIN | FEED DOG DIFFERENTIAL |
|---------------|-------------|-----------------------|--------------|---------------|-----------------------|
| CS122K01-2D48 | 50318AN48   | 34727CA48             | 34724CA48    | 34705CA       | 34726CA16             |
| CS122K01-2D56 | 50318AN56   | 34727CA60             | 34724CA56    |               |                       |
| CS122K01-2D64 | 50318AN64   |                       | 34724CA64    |               |                       |
| CS122K02-2D56 | 50318AN56   |                       | 34724CB56    |               | 34726A                |
| CS122K02-2D64 | 50318AN64   | 34727CA48             | 34724CB64    |               |                       |
| CS132K01-2D48 | 50318AN48   |                       | 34724CA48    |               | 34726CA16             |
| CS132K01-2D56 | 58318AN56   |                       | 34724CA56    |               |                       |
| CS132K01-2D64 | 50318AN64   |                       | 34724CA64    |               |                       |
| CS132K02-2D56 | 50318AN56   | 34727CA60             | 34724CB56    |               | 34726A                |
| CS132K02-2D64 | 50318AN64   |                       | 34724CB64    |               |                       |



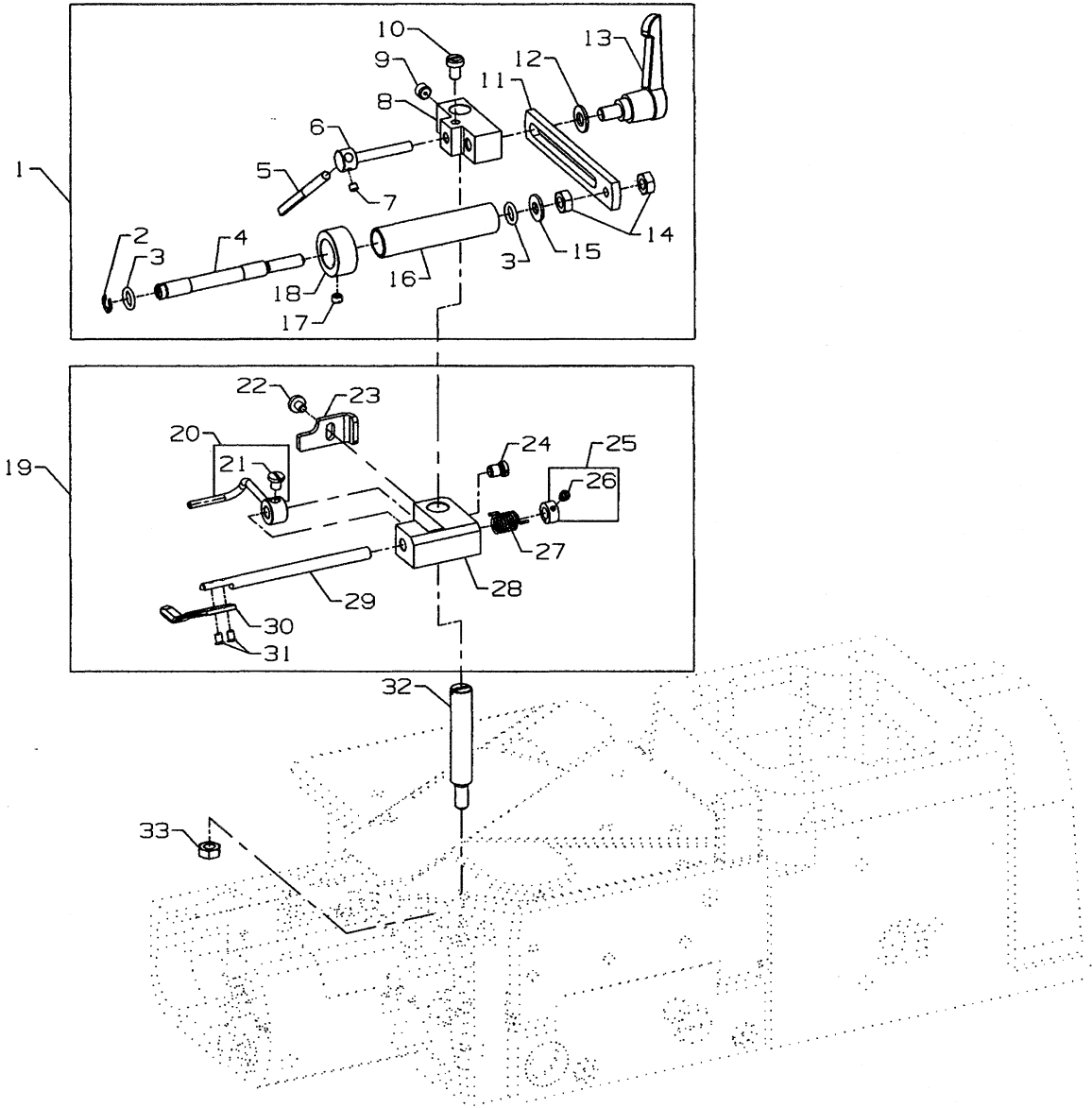




## ACCESSORIES

| Ref.<br>No. | Part No.      | Description                        | Amt.<br>Req. |
|-------------|---------------|------------------------------------|--------------|
| 1.          | 11969557      | Thread Stand (5 cones) .....       | 1            |
| 2.          | G21201        | Screwdriver, for needle head ..... | 1            |
| 3.          | 12288403      | Thread Tweezer .....               | 1            |
| 4.          | 28604R        | Oil (1 pint) .....                 | 1            |
| 5.          | 34395         | Profile Rubber .....               | 1            |
| 6.          | 660-264       | "S" Hook .....                     | 2            |
| 7.          | 421D42        | Chain .....                        | 1            |
| 8.          | 51295B        | Isolator .....                     | 4            |
| 9.          | 121GJS070/027 | Needles .....                      | 1            |
| 10.         | 34321CC       | Flange Synchronizer .....          | 1            |





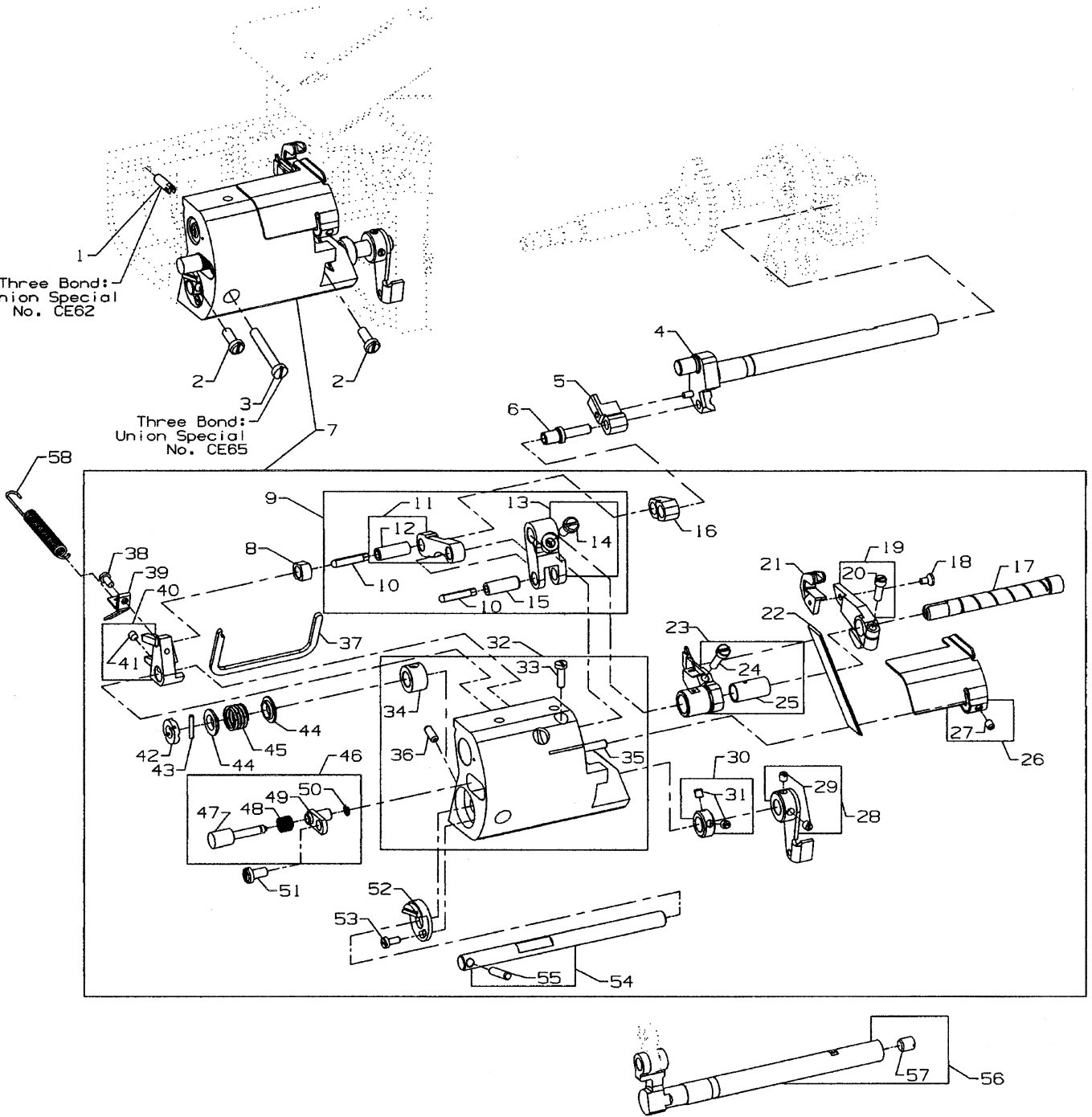
TAPE GUIDE, HOLD DOWN DEVICE  
FOR  
CS122E11, CS125E61, CS125E62  
CS132E11, CS135E61, CS135E62

| Ref.<br>No. | Part No. | Description                     | Amt.<br>Req. |
|-------------|----------|---------------------------------|--------------|
| 1.          | 34786G   | Tape Guide Assembly .....       | 1            |
| 2.          | 96275    | Retaining Ring .....            | 1            |
| 3.          | 999-30   | "O" Ring .....                  | 2            |
| 4.          | 34786GE  | Shaft .....                     | 1            |
| 5.          | 34786GA  | Tape Guide .....                | 1            |
| 6.          | 34786GB  | Support .....                   | 1            |
| 7.          | 22894AY  | Screw .....                     | 1            |
| 8.          | 34783N   | Support .....                   | 1            |
| 9.          | 22894X   | Screw .....                     | 1            |
| 10.         | 93A      | Screw .....                     | 1            |
| 11.         | 34786GC  | Bracket .....                   | 1            |
| 12.         | 95951    | Washer .....                    | 1            |
| 13.         | 999-90B  | Clamping Lever .....            | 1            |
| 14.         | 18       | Nut .....                       | 2            |
| 15.         | 21657E   | Washer .....                    | 1            |
| 16.         | 34786GG  | Roller .....                    | 1            |
| 17.         | 88B      | Screw .....                     | 1            |
| 18.         | 34786GF  | Collar .....                    | 1            |
| 19.         | 34731    | Hold Down Device Assembly ..... | 1            |
| 20.         | 34731D   | Lever .....                     | 1            |
| 21.         | 22570B   | Screw .....                     | 1            |
| 22.         | 22585C   | Screw .....                     | 1            |
| 23.         | 34731C   | Stop .....                      | 1            |
| 24.         | 22836    | Screw .....                     | 1            |
| 25.         | 39531B   | Collar .....                    | 1            |
| 26.         | 604      | Screw .....                     | 1            |
| 27.         | 97113    | Torsion Spring .....            | 1            |
| 28.         | 50337BE  | Material Hold Down Guide .....  | 1            |
| 29.         | 39531A   | Shaft .....                     | 1            |
| 30.         | 34731A   | Hold Down Plate .....           | 1            |
| 31.         | 77K      | Screw .....                     | 2            |
| 32.         | 99391    | Spacer Stud .....               | 1            |
| 33.         | 18       | Nut .....                       | 1            |



Three Bond:  
Union Special  
No. CE62

Three Bond:  
Union Special  
No. CE65



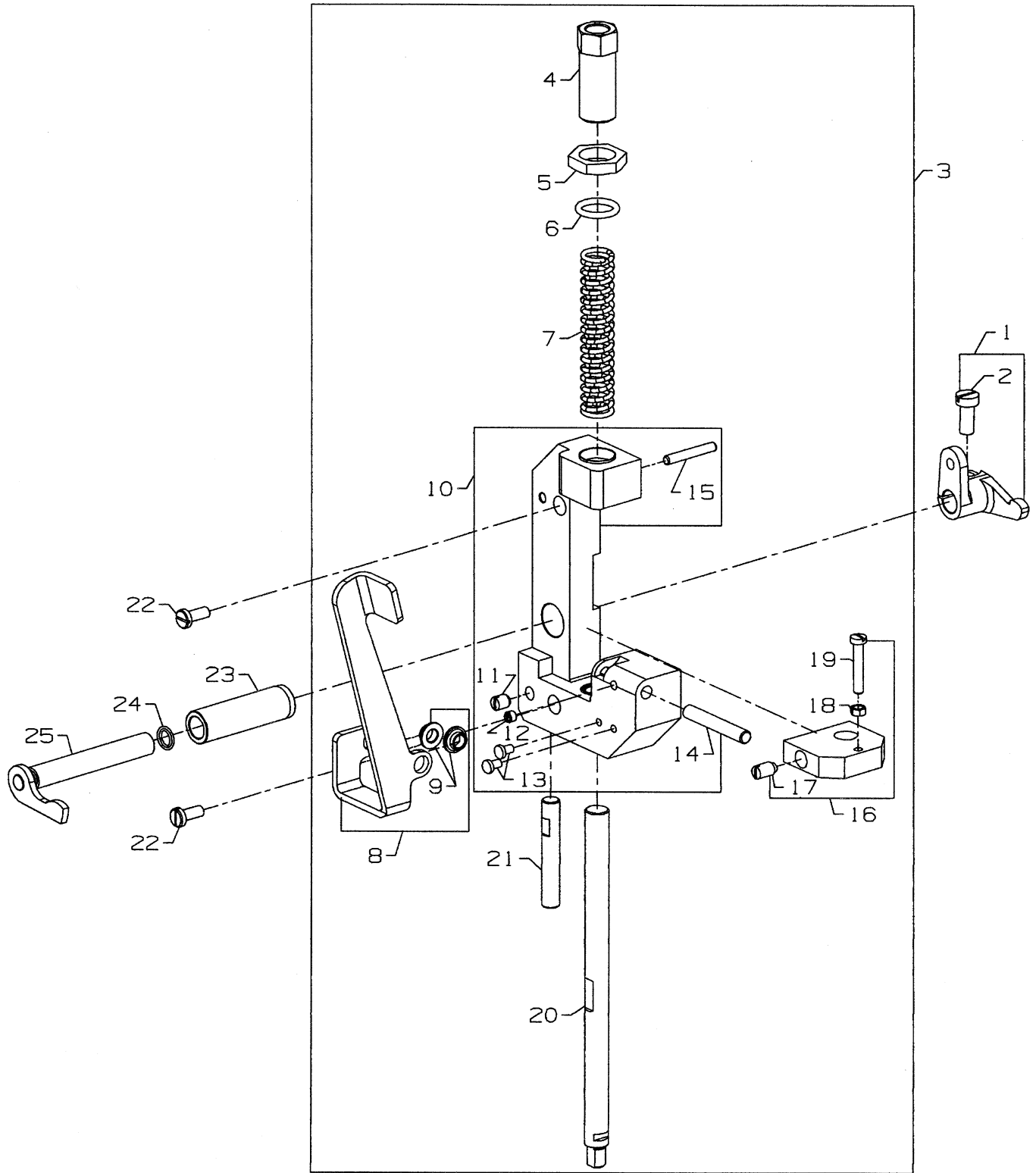
UNDER TRIMMER ASSEMBLY

FOR

CS122E11, CS125E61, CS125E62  
CS132E11, CS135E61, CS135E62

| Ref. No. | Part No. | Description                  | Amt. Req. |
|----------|----------|------------------------------|-----------|
| 1.       | G51347A  | Screw .....                  | 1         |
| 2.       | 93       | Screw .....                  | 2         |
| 3.       | 22874F   | Screw .....                  | 1         |
| 4.       | 50322BH  | Shaft .....                  | 1         |
| 5.       | 34738A   | Spacer .....                 | 1         |
| 6.       | 99370    | Screw .....                  | 1         |
| 7.       | 29924M   | Under Trimmer Assembly ..... | 1         |
| 8.       | 34771G   | Slide Block .....            | 1         |
| 9.       | 34771A   | Lever Assembly .....         | 1         |
| 10.      | 666-149  | Wick .....                   | 2         |
| 11.      | 34771B   | Connecting Rod .....         | 1         |
| 12.      | G51054   | Joint Pin .....              | 1         |
| 13.      | 34771AA  | Lever .....                  | 1         |
| 14.      | 93       | Screw .....                  | 1         |
| 15.      | G51054   | Joint Pin .....              | 1         |
| 16.      | 34771K   | Connection .....             | 1         |
| 17.      | 34785    | Shaft .....                  | 1         |
| 18.      | 22894BG  | Screw .....                  | 1         |
| 19.      | 34771PA  | Upper Knife Lever .....      | 1         |
| 20.      | 22729    | Screw .....                  | 1         |
| 21.      | 34770H   | Upper Knife .....            | 1         |
| 22.      | 34749B   | Lower Knife .....            | 1         |
| 23.      | 34750EA  | Knife Holder .....           | 1         |
| 24.      | 22729AB  | Screw .....                  | 1         |
| 25.      | 34750A   | Bushing .....                | 1         |
| 26.      | 34779    | Edge Guide .....             | 1         |
| 27.      | 22565C   | Screw .....                  | 1         |
| 28.      | 34771L   | Lever .....                  | 1         |
| 29.      | 88       | Screw .....                  | 2         |
| 30.      | 12865    | Collar .....                 | 1         |
| 31.      | 88       | Screw .....                  | 2         |
| 32.      | 34739N   | Housing .....                | 1         |
| 33.      | 22585R   | Screw .....                  | 1         |
| 34.      | 34739A   | Bushing .....                | 1         |
| 35.      | 96529    | Pin .....                    | 1         |
| 36.      | 51280J   | Pin .....                    | 2         |
| 37.      | 1266001  | Gasket .....                 | 1         |
| 38.      | 77L      | Screw .....                  | 1         |
| 39.      | 34771J   | Stop .....                   | 1         |
| 40.      | 34771D   | Lever .....                  | 1         |
| 41.      | 89       | Screw .....                  | 1         |
| 42.      | 99369    | Nut .....                    | 1         |
| 43.      | 96530    | Pin .....                    | 1         |
| 44.      | 34771E   | Spring Washer .....          | 2         |
| 45.      | 97016    | Spring .....                 | 1         |
| 46.      | 34763B   | Locking Plate Assembly ..... | 1         |
| 47.      | 34763C   | Bolt .....                   | 1         |
| 48.      | 97015    | Spring .....                 | 1         |
| 49.      | 34763BA  | Locking Plate .....          | 1         |
| 50.      | 660-210  | Retaining Ring .....         | 1         |
| 51.      | 22528    | Screw .....                  | 1         |
| 52.      | 34771H   | Stop .....                   | 1         |
| 53.      | J87J     | Screw .....                  | 1         |
| 54.      | 34771C   | Shaft .....                  | 1         |
| 55.      | 34771F   | Pin .....                    | 1         |
| 56.      | 34734    | Shaft, for feed drive .....  | 1         |
| 57.      | CO67B    | Cork Plug .....              | 2         |
| 58.      | 96722    | Spring .....                 | 1         |

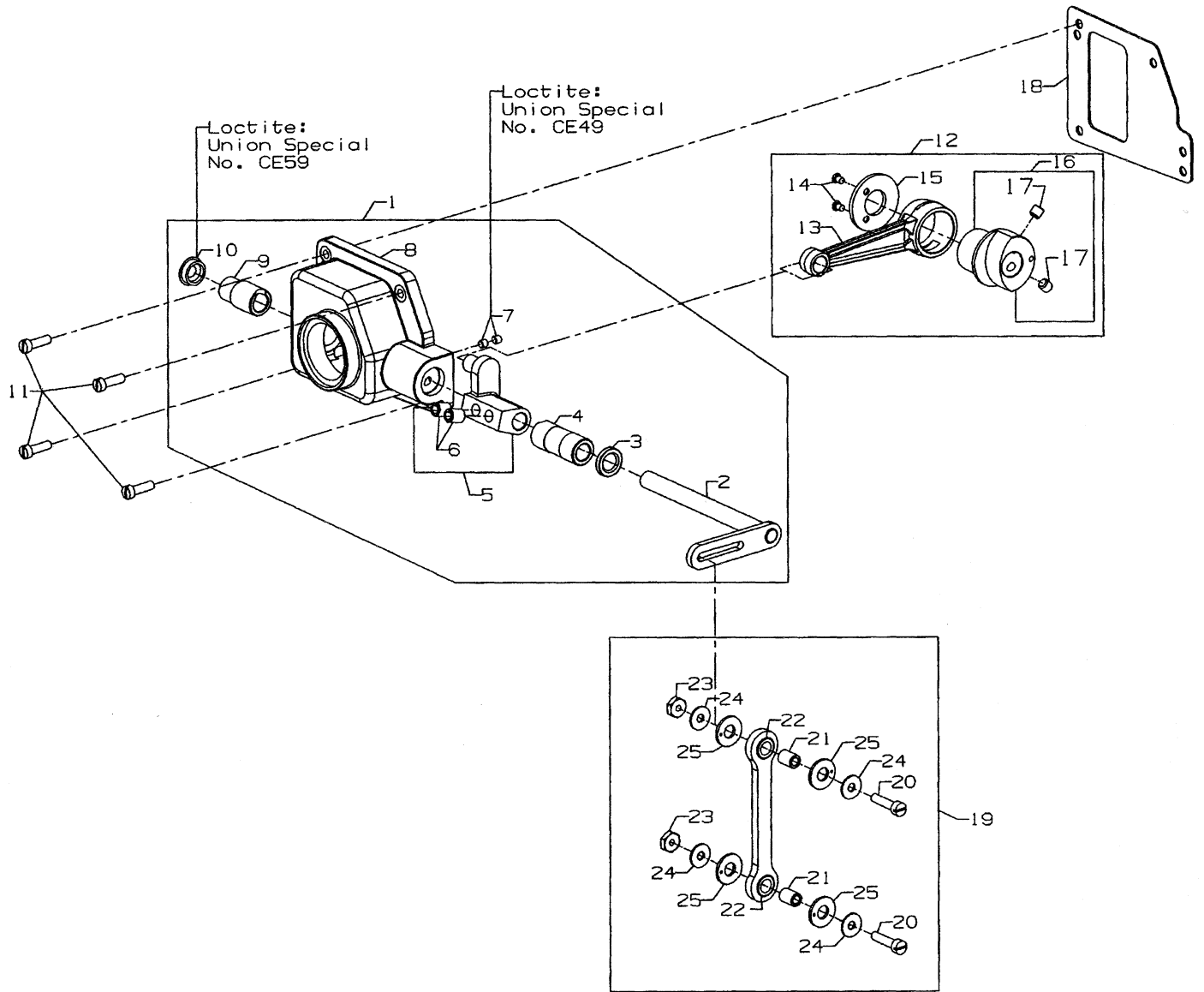




PULLER LIFTER ASSEMBLY  
FOR  
CS125E61, CS125E62, CS125H11, CS125H12,  
CS135E61, CS13562, CS135H11, CS135H12

| Ref.<br>No. | Part No.    | Description                      | Amt.<br>Req. |
|-------------|-------------|----------------------------------|--------------|
| 1.          | 50377VA     | Lever, lifter front .....        | 1            |
| 2.          | SS6151440SP | Screw .....                      | 1            |
| 3.          | 29476UX     | Puller Lifter Assembly .....     | 1            |
| 4.          | 59477       | Regulator .....                  | 1            |
| 5.          | 35733G      | Nut .....                        | 1            |
| 6.          | 660-212     | "O" Ring .....                   | 1            |
| 7.          | 50377L      | Spring .....                     | 1            |
| 8.          | 50377C      | Lever, lifter .....              | 1            |
| 9.          | 50344AT     | Bushing .....                    | 2            |
| 10.         | 50377D      | Bracket, for roller lifter ..... | 1            |
| 11.         | SS8150710SP | Set Screw .....                  | 1            |
| 12.         | SS8120410SP | Set Screw .....                  | 1            |
| 13.         | 50337AM     | Bumper .....                     | 1            |
| 14.         | 50377AF     | Pin .....                        | 1            |
| 15.         | 96529       | Pin .....                        | 1            |
| 16.         | 50377M      | Lifter .....                     | 1            |
| 17.         | SS8151150SP | Screw .....                      | 1            |
| 18.         | NS6110310SP | Nut .....                        | 1            |
| 19.         | SS7112420SP | Screw .....                      | 1            |
| 20.         | 50377AM     | Bar, roller presser .....        | 1            |
| 21.         | 50377AR     | Guide Pin .....                  | 1            |
| 22.         | SS6121220TP | Screw .....                      | 2            |
| 23.         | 50377T      | Bushing, lifter link .....       | 1            |
| 24.         | RO068190100 | "O" Ring .....                   | 1            |
| 25.         | 50377G      | Lever, puller lifter .....       | 1            |



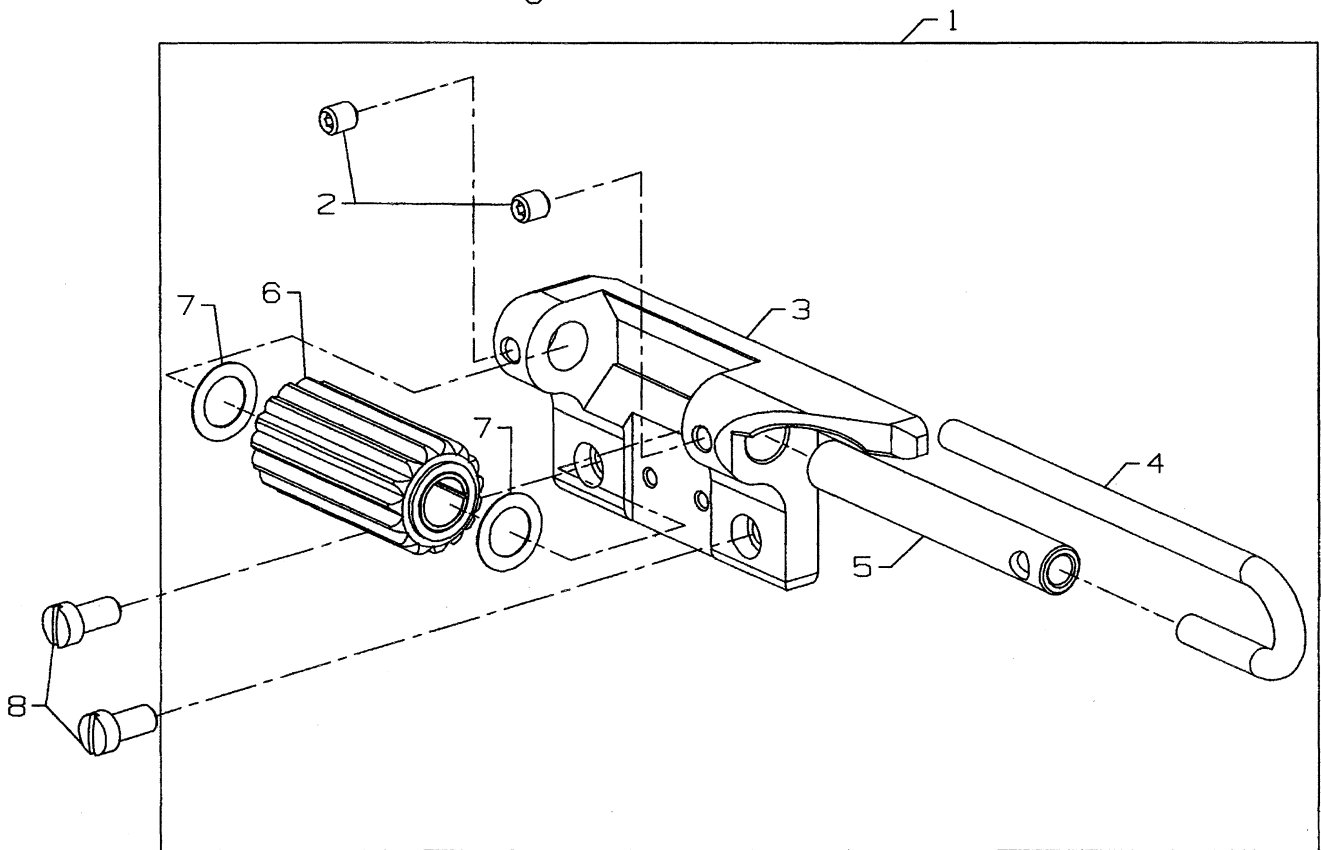
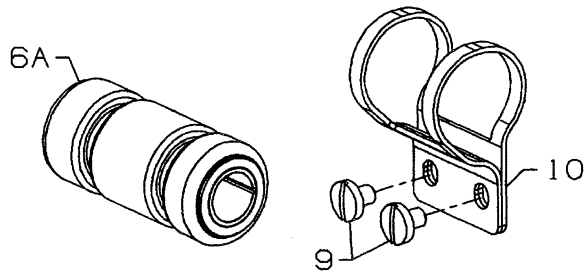




PULLER DRIVE ASSEMBLY  
FOR  
CS125E61, CS125E62, CS125H11, CS125H12,  
CS135E61, CS13562, CS135H11, CS135H12

| Ref.<br>No. | Part No.    | Description                             | Amt.<br>Req. |
|-------------|-------------|---|--------------|
| 1.          | 29476SP     | Puller Drive Assembly .....             | 1            |
| 2.          | 50377F      | Roller Driving Arm .....                | 1            |
| 3.          | 660-893     | Seal .....                              | 1            |
| 4.          | 50377S      | Bushing .....                           | 1            |
| 5.          | 50377E      | Lever, Puller Drive .....               | 1            |
| 6.          | SS8701042TP | Screw .....                             | 2            |
| 7.          | SS8110422TP | Set Screw .....                         | 1            |
| 8.          | 50377U      | Housing, Puller Drive .....             | 1            |
| 9.          | 50377P      | Bushing .....                           | 1            |
| 10.         | TA1450404R0 | Rubber Plug .....                       | 1            |
| 11.         | SS7121610SP | Screw .....                             | 4            |
| 12.         | 50377Z      | Connecting Rod Eccentric Assembly ..... | 1            |
| 13.         | 50377AA     | Connecting Rod .....                    | 1            |
| 14.         | SS2090620SP | Screw .....                             | 2            |
| 15.         | 50386       | Washer .....                            | 1            |
| 16.         | 50377AB     | Eccentric .....                         | 1            |
| 17.         | SS8660612TP | Screw .....                             | 2            |
| 18.         | 50384L      | Gasket .....                            | 1            |
| 19.         | 50377J      | Roller Drive Link Assembly .....        | 1            |
| 20.         | SS6122030SP | Screw .....                             | 2            |
| 21.         | 50344AP     | Bushing, link .....                     | 2            |
| 22.         | 660-303     | Bearing .....                           | 2            |
| 23.         | NS6120480SP | Nut .....                               | 2            |
| 24.         | WP0501046SC | Washer .....                            | 4            |
| 25.         | 660-1089    | Thrust Washer .....                     | 4            |

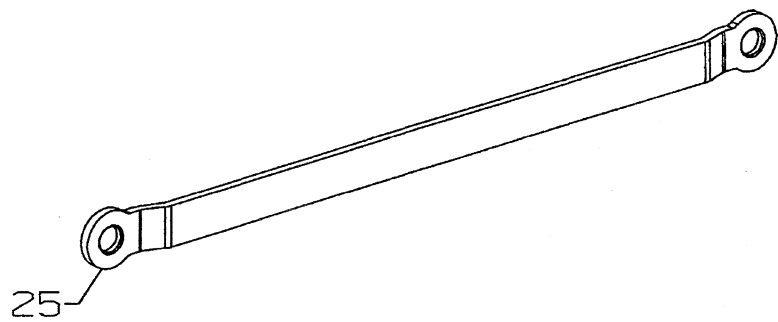
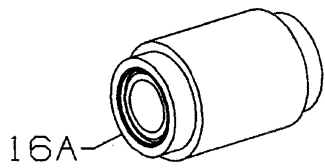
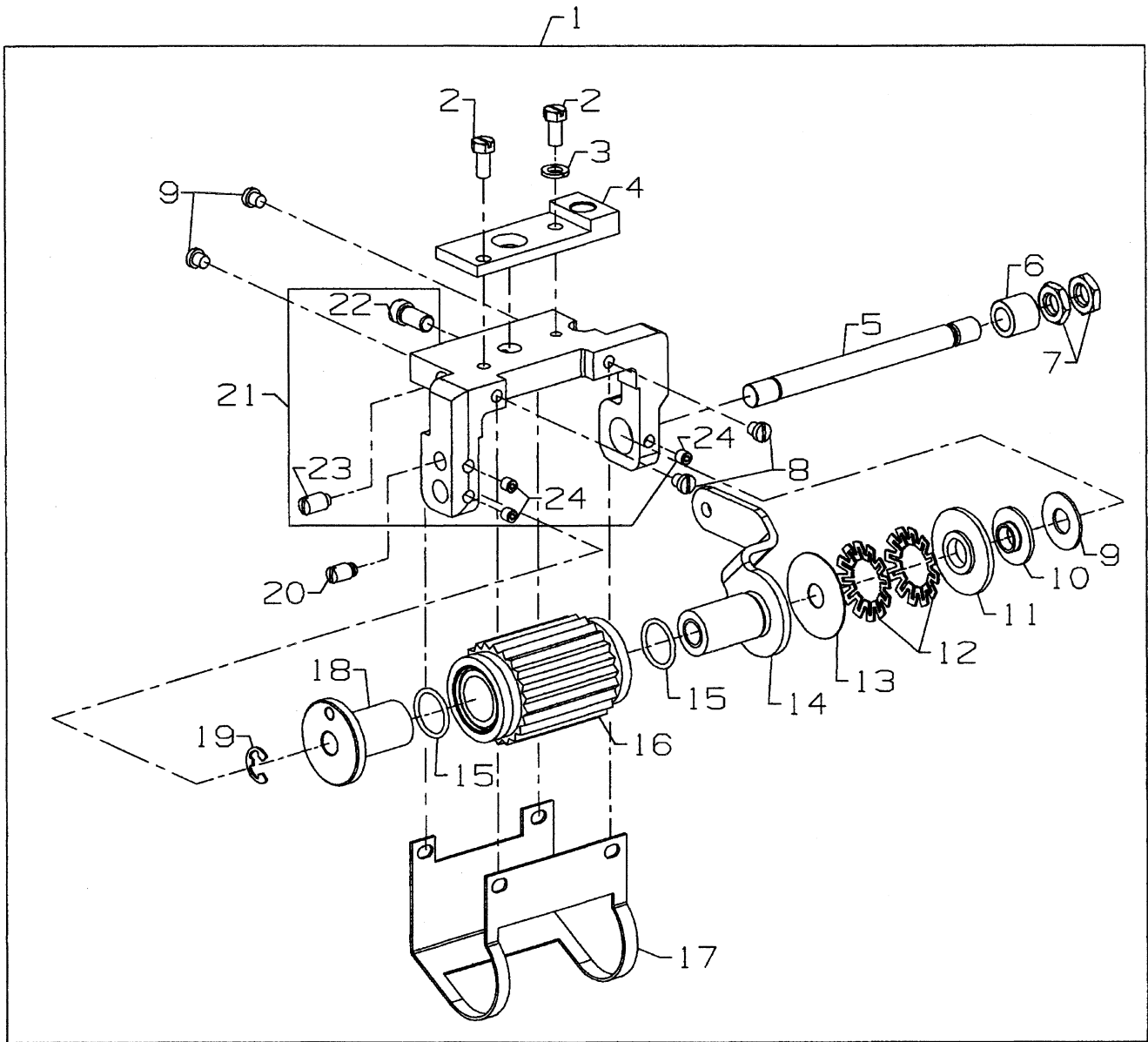




LOWER ROLLER ASSEMBLY  
FOR  
CS125E61, CS125E62, CS125H11, CS125H12,  
CS135E61, CS135E62, CS135H11, CS135H12

| Ref.<br>No. | Part No. | Description   | Amt.<br>Req. |
|-------------|----------|---|--------------|
| 1.          | 29476UX  | Lower Roller Assembly, for CS125E61, CS125H11, CS135E61, CS135H11 ....  | 1            |
| -           | 29476SW  | Lower Roller Assembly, for CS125E62, CS125H12, CS135E62, CS135H12 ....  | 1            |
| 2.          | 22894AD  | Set Screw .....   | 2            |
| 3.          | 34380B   | Bracket (Standard) Cylinder .....                                       | 1            |
| 4.          | 34767    | Guard .....   | 1            |
| 5.          | 34776B   | Shaft .....   | 1            |
| 6.          | 50377AT  | Lower Roller, for CS125E61, CS125H11, CS135E61, CS135H11 .....          | 1            |
| 6A.         | 34776F   | Lower Roller (Smooth), for CS125E62, CS125H12, CS135E62, CS135H12 ..... | 1            |
| 7.          | 50386E   | Washer, plastic .....   | 2            |
| 8.          | 22517    | Screw, for lower roller assembly .....                                  | 2            |
| 9.          | 22585C   | Screw .....   | 2            |
| 10.         | 34380C   | Roller Guard .....  | 1            |

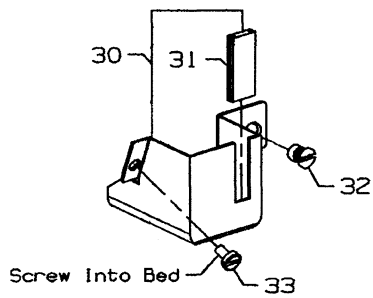
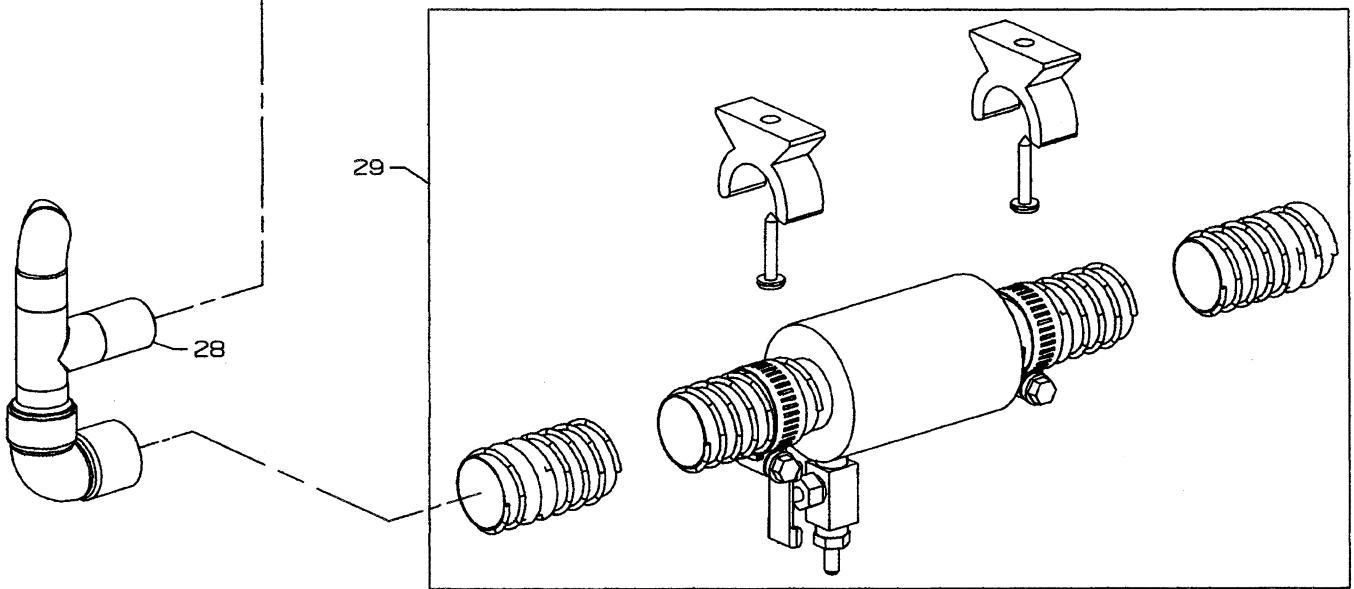
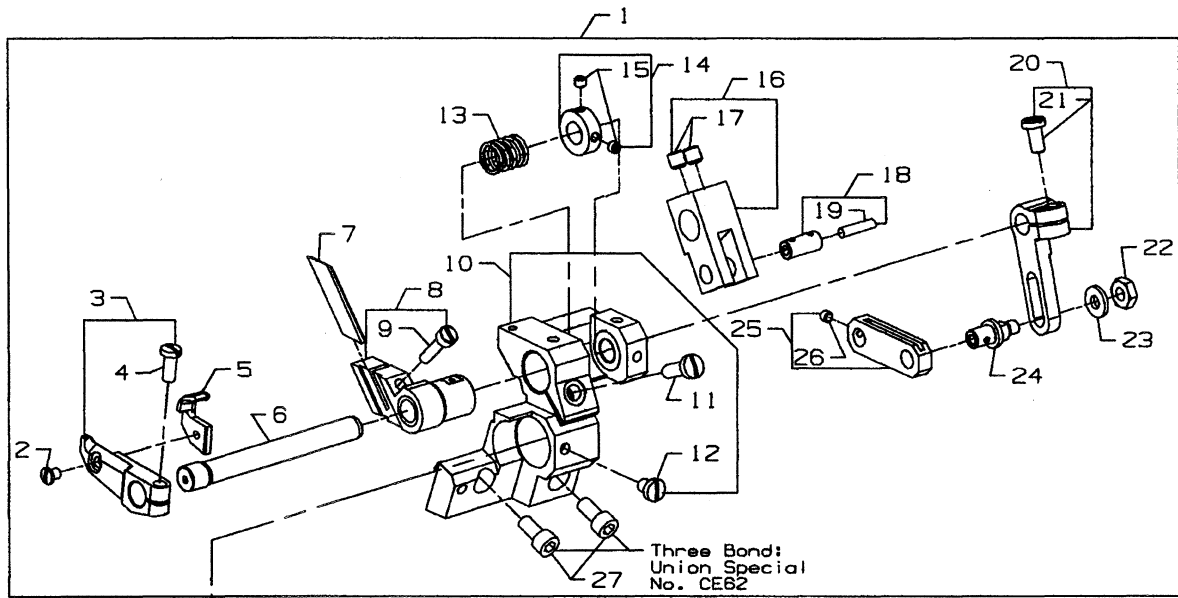




UPPER ROLLER ASSEMBLY  
FOR  
CS125E61, CS125E62, CS125H11, CS125H12,  
CS135E61, CS135E62, CS135H11, CS135H12

| Ref.<br>No. | Part No.    | Description   | Amt.<br>Req. |
|-------------|-------------|---|--------------|
| 1.          | 29476UV     | Upper Roller Assembly, for CS125E61, CS125H11, CS135E61, CS135H11.....    | 1            |
| -           | 29476SS     | Upper Roller Assembly, for CS125E62, CS125H12, CS135E62, CS135H12 ....    | 1            |
| 2.          | SS9111010SP | Hex Screw .....   | 2            |
| 3.          | WS0510002KP | Lock Washer .....   | 1            |
| 4.          | 50378AD     | Guide Plate .....   | 1            |
| 5.          | 34774       | Shaft .....   | 1            |
| 6.          | 34778A      | Bushing .....   | 1            |
| 7.          | 11638M      | Stud Nut .....  | 2            |
| 8.          | SS7110410SP | Screw .....   | 4            |
| 9.          | C50077K     | Washer .....  | 1            |
| 10.         | 34778C      | Bushing .....   | 1            |
| 11.         | 50377AE     | Disc .....  | 1            |
| 12.         | 661-261     | Cup Spring .....  | 2            |
| 13.         | 50386B      | Washer .....  | 1            |
| 14.         | 50377H      | Lever Assembly .....  | 1            |
| 15.         | 661-149     | "O" Ring .....  | 2            |
| 16.         | 50375Y      | Roller Assembly, for CS125E61, CS125H11, CS135E61, CS135H11 .....         | 1            |
| 16A.        | 50375V      | Roller Assembly (Smooth), for CS125E62, CS125H12, CS135E62, CS135H12..... | 1            |
| 17.         | 50377AC     | Roller Guard .....  | 1            |
| 18.         | 50377AD     | Bushing .....   | 1            |
| 19.         | 96278       | "E" Ring .....  | 1            |
| 20.         | 22892C      | Shoulder Screw .....  | 1            |
| 21.         | 50377AK     | Feed Roller Yoke Assembly .....   | 1            |
| 22.         | SS6151220SP | Hex Screw .....   | 1            |
| 23.         | SS8151150SP | Screw .....   | 1            |
| 24.         | SS8110422TP | Set Screw .....   | 3            |
| 25.         | 50355AS     | Wire Connector .....  | 1            |

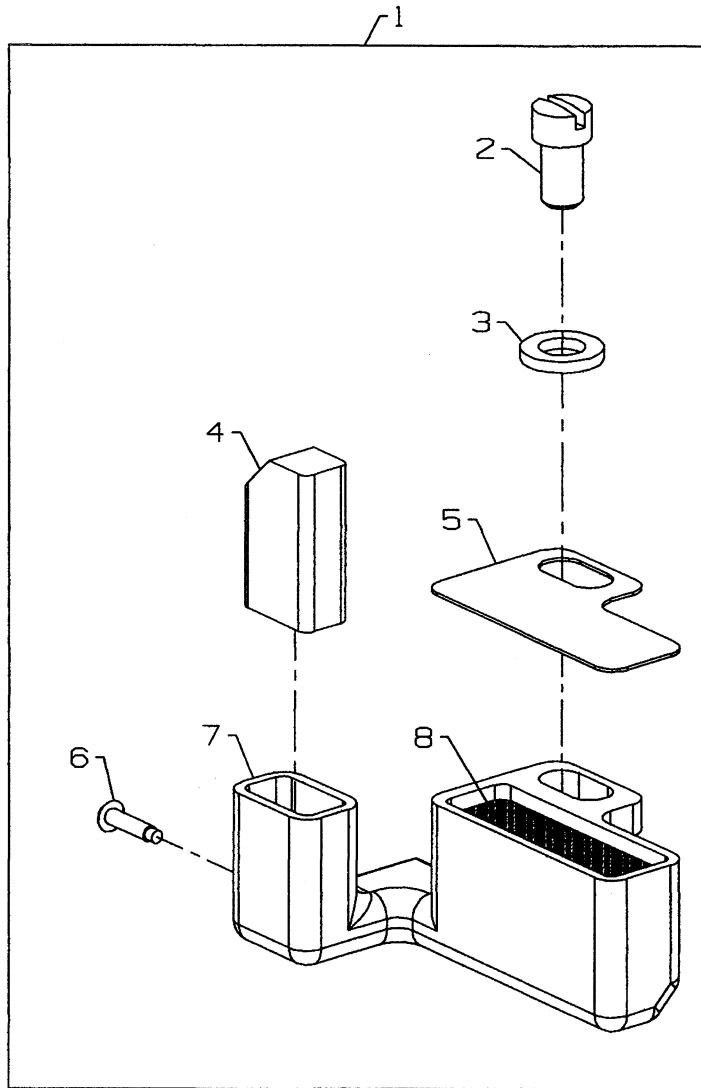




FABRIC TRIMMER ASSEMBLY  
FOR CS122H21, CS132H21

| Ref. No. | Part No.    | Description                    | Amt. Req. |
|----------|-------------|--------------------------------|-----------|
| 1.       | 29924LA     | Fabric Trimmer Assembly .....  | 1         |
| 2.       | SS7090530SP | Screw .....                    | 1         |
| 3.       | 50372A      | Knife Lever .....              | 1         |
| 4.       | SS7111120TP | Screw .....                    | 1         |
| 5.       | 50370J      | Upper Knife .....              | 1         |
| 6.       | 34785L      | Shaft .....                    | 1         |
| 7.       | 34749EL     | Lower Knife .....              | 1         |
| 8.       | 50372B      | Lower Knife Holder .....       | 1         |
| 9.       | 22729ABA    | Screw .....                    | 1         |
| 10.      | 34739L      | Support Block .....            | 1         |
| 11.      | 22596       | Screw .....                    | 1         |
| 12.      | 25CC        | Screw .....                    | 1         |
| 13.      | 97005D      | Spring .....                   | 1         |
| 14.      | 33688       | Adjusting Collar .....         | 1         |
| 15.      | 22894AY     | Screw .....                    | 2         |
| 16.      | 34771SL     | Lever .....                    | 1         |
| 17.      | 22894C      | Screw .....                    | 2         |
| 18.      | 34336P      | Link Pin .....                 | 1         |
| 19.      | 666-149     | Oil Wick .....                 | 1         |
| 20.      | 34771VL     | Lever .....                    | 1         |
| 21.      | 22528       | Screw .....                    | 1         |
| 22.      | 9937        | Hex Nut .....                  | 1         |
| 23.      | 4611U       | Washer .....                   | 1         |
| 24.      | 34771UL     | Adjusting Bolt .....           | 1         |
| 25.      | 34771TL     | Connecting Link .....          | 1         |
| 26.      | 22894Y      | Set Screw .....                | 1         |
| 27.      | 95412       | Screw .....                    | 2         |
| 28.      | 671B115     | Suction Tube .....             | 1         |
| 29.      | 29480AWK    | Exhaust Assembly .....         | 1         |
| 30.      | 50396L      | Guard .....                    | 1         |
| 31.      | 50382JU     | Sliding Cover, For Guard ..... | 1         |
| 32.      | 22807       | Screw .....                    | 1         |
| 33.      | 98A         | Screw .....                    | 1         |







NEEDLE DIPPER (EXTRA SEND CHARGE)

| Ref. No. | Part No.    | Description                    | Amt. Req. |
|----------|-------------|--------------------------------|-----------|
| 1.       | 29480AZV    | Needle Dipper Assembly .....   | 1         |
| 2.       | 22562B      | Screw, for needle dipper ..... | 1         |
| 3.       | 80265       | Washer .....                   | 1         |
| 4.       | 50393GW     | Felt .....                     | 1         |
| 5.       | 50382KD     | Needle Dipper Cover .....      | 1         |
| 6.       | 666-197     | Pin, for oil wick .....        | 1         |
| 7.       | 50393KZ     | Needle Dipper .....            | 1         |
| 8.       | CQ200000000 | Oil Wick .....                 | 1         |



## NUMERICAL INDEX OF PARTS

| <u>Part No.</u> | <u>Page No.</u> | <u>Part No.</u> | <u>Page No.</u> | <u>Part No.</u> | <u>Page No.</u> | <u>Part No.</u> | <u>Page No.</u> |
|-----------------|-----------------|-----------------|-----------------|-----------------|-----------------|-----------------|-----------------|
| 11071602        | 21              | 22836           | 59              | 31130RA         | 55              | 34381A          | 39              |
| 11071701        | 21              | 22874C          | 33              | 33688           | 71              | 34381B          | 39              |
| 11550209        | 19              | 22874F          | 61              | 34306D          | 35              | 34382EA         | 41              |
| 11638M          | 69              | 22875N          | 19              | 34321CC         | 25, 57          | 34382H          | 33              |
| 11969557        | 57              | 22892C          | 69              | 34334A          | 35              | 34382J          | 41              |
| 12124202        | 17              | 22894AD         | 9, 31           | 34334S          | 33              | 34382UA         | 37, 39          |
| 121GJS070/027   | 57              | 22894AD         | 35, 67          | 34335           | 35              | 34382V          | 37, 39          |
| 12288403        | 57              | 22894AY         | 37, 39          | 34335A          | 35              | 34382W          | 37, 39          |
| 1266001         | 61              | 22894AY         | 59, 71          | 34335D          | 35              | 34390           | 9               |
| 12865           | 61              | 22894BD         | 9, 35           | 34335G          | 33              | 34393D          | 27              |
| 18              | 59              | 22894BG         | 61              | 34335H          | 35              | 34393L          | 27              |
| 18-1470         | 27              | 22894C          | 29, 71          | 34335J          | 33, 35          | 34393M          | 27              |
| 18C1471         | 17              | 22894T          | 31              | 34336A          | 33              | 34394A          | 9               |
| 18C1475         | 45              | 22894W          | 29, 35          | 34336B          | 9               | 34394B          | 9               |
| 18C1479         | 45              | 22894X          | 29, 33          | 34336C          | 9               | 34395           | 57              |
| 21657E          | 59              | 22894X          | 35, 59          | 34336D          | 9               | 34642A          | 29              |
| 2165D-0.2       | 37, 39          | 22894Y          | 71              | 34336E          | 9               | 34682C          | 27              |
| 22503F          | 33              | 258A            | 27              | 34336N          | 33              | 34703A          | 39              |
| 22517           | 67              | 25CC            | 71              | 34336P          | 35, 71          | 34703B          | 39              |
| 22528           | 61, 71          | 25S             | 37, 43          | 34336Q          | 33              | 34703CA         | 39              |
| 22541B          | 29, 37          | 28604R          | 57              | 34336RA         | 33              | 34703F1         | 43              |
| 22541B          | 39              | 28B             | 35              | 34336S          | 33              | 34703F3         | 43              |
| 22548           | 41, 43          | 29105BK         | 29              | 34336U          | 33              | 34703FA1        | 43              |
| 22561           | 37              | 29126FW         | 15              | 34336V          | 33              | 34703W2.3       | 47              |
| 22562           | 21              | 29475CG         | 17              | 34337           | 35              | 34703W4.3       | 47              |
| 22562A          | 33              | 29476SA         | 43              | 34337A          | 35              | 34703Z          | 43              |
| 22562B          | 37, 39          | 29476SH         | 33              | 34337B          | 35              | 34703ZA         | 43              |
| 22562B          | 73              | 29476SJ         | 35              | 34337CA         | 35              | 34703ZB         | 43              |
| 22565C          | 9, 61           | 29476SP         | 65              | 34337F          | 33              | 34709D          | 29              |
| 22569AH         | 41              | 29476SS         | 69              | 34338           | 33              | 34730A          | 49              |
| 22569B          | 25              | 29476SW         | 67              | 34338B          | 33              | 34730AT         | 53              |
| 22569C          | 43              | 29476TA         | 43              | 34340A          | 33              | 34731           | 59              |
| 22569G          | 35              | 29476TC         | 11              | 34342F          | 9               | 34731A          | 59              |
| 22570B          | 59              | 29476TH         | 11              | 34342G          | 9               | 34731C          | 59              |
| 22571E          | 27              | 29476TJ         | 27              | 34342J          | 29              | 34731D          | 59              |
| 22571F          | 9               | 29476TK         | 21              | 34343C          | 29              | 34734           | 61              |
| 22580           | 31              | 29476TP         | 35              | 34344A          | 29              | 34738A          | 61              |
| 22585C          | 43, 59          | 29476TR         | 27              | 34344D          | 29              | 34739A          | 61              |
| 22585C          | 67              | 29476TS         | 27              | 34344E          | 29              | 34739L          | 71              |
| 22585R          | 61              | 29476TT         | 21              | 34353           | 33              | 34739N          | 61              |
| 22652A12        | 29              | 29476TU         | 39              | 34353A          | 33              | 34749B          | 61              |
| 22715A          | 43              | 29476TV         | 39              | 34358BA         | 31              | 34749EL         | 71              |
| 22716           | 49, 53          | 29476UA         | 31              | 34358CA         | 31              | 34750A          | 61              |
| 22716A          | 47, 53          | 29476UN         | 37              | 34358F          | 17              | 34750EA         | 61              |
| 22729           | 61              | 29476UV         | 69              | 34363           | 35              | 34763B          | 61              |
| 22729AB         | 61              | 29476UX         | 63              | 34363A          | 35              | 34763BA         | 61              |
| 22729ABA        | 71              | 29476VK         | 29              | 34363B          | 35              | 34763C          | 61              |
| 22730           | 43              | 29476VL         | 27              | 34363C          | 35              | 34767           | 67              |
| 22738B          | 33              | 29476XT         | 35              | 34366           | 31              | 34767K          | 43              |
| 22743           | 31              | 29476XU         | 67              | 34367           | 37, 39          | 34770H          | 61              |
| 22746           | 37, 39          | 29480ARN        | 37              | 34367A          | 39              | 34771A          | 61              |
| 22757E          | 43              | 29480AWK        | 71              | 34367B          | 37, 39          | 34771AA         | 61              |
| 22766           | 43              | 29480AYJ        | 17              | 34368           | 31              | 34771B          | 61              |
| 22768           | 53              | 29480AZV        | 73              | 34380           | 39              | 34771C          | 61              |
| 22807           | 71              | 29924LA         | 71              | 34380B          | 67              | 34771D          | 61              |
| 22811B          | 29              | 29924M          | 61              | 34380C          | 67              | 34771E          | 61              |
| 22829           | 9               | 31130A          | 55              | 34380T          | 39              | 34771F          | 61              |



## NUMERICAL INDEX OF PARTS

| <u>Part No.</u> | <u>Page No.</u> | <u>Part No.</u> | <u>Page No.</u> | <u>Part No.</u> | <u>Page No.</u> | <u>Part No.</u> | <u>Page No.</u> |
|-----------------|-----------------|-----------------|-----------------|-----------------|-----------------|-----------------|-----------------|
| 34771G          | 61              | 50304M          | 31              | 50337AP         | 35              | 50358X          | 11              |
| 34771H          | 61              | 50311C          | 25              | 50337AW         | 23              | 50360           | 15              |
| 34771J          | 61              | 50313T          | 29              | 50337BE         | 59              | 50360B          | 15              |
| 34771K          | 61              | 50314G          | 29              | 50342AY         | 13              | 50360F          | 15              |
| 34771L          | 61              | 50317B          | 11              | 50342BD         | 25              | 50360G          | 15              |
| 34771PA         | 61              | 50317C          | 23              | 50342BH         | 25              | 50360H          | 15              |
| 34771SL         | 71              | 50318AE40       | 45, 47          | 50343B          | 29              | 50363CK         | 17              |
| 34771TL         | 71              | 50318AE40       | 49              | 50343C          | 29              | 50364R          | 43              |
| 34771UL         | 71              | 50318AE40       | 53, 55          | 50343RC         | 29              | 50364S          | 37, 43          |
| 34771VL         | 71              | 50318AE56       | 45, 47          | 50344AG         | 29              | 50364VB         | 43              |
| 34774           | 69              | 50318AE56       | 49              | 50344AP         | 65              | 50364X          | 37              |
| 34776B          | 67              | 50318AE56       | 53, 55          | 50344AR         | 25              | 50364Y          | 37              |
| 34776F          | 67              | 50321J          | 25              | 50344AT         | 63              | 50364Z          | 43              |
| 34778A          | 69              | 50321M          | 13              | 50344AV         | 9               | 50366           | 17              |
| 34778C          | 69              | 50322AF         | 13              | 50344BK         | 9               | 50366A          | 17              |
| 34778GD         | 37              | 50322AH         | 25              | 50344BL         | 9               | 50366B          | 17              |
| 34778GF         | 37              | 50322AN         | 25              | 50344BM         | 29              | 50366G          | 17              |
| 34779           | 61              | 50322AZ         | 9               | 50344BN         | 9               | 50366J          | 17              |
| 34780           | 37              | 50322BB         | 13              | 50344BP         | 9               | 50366L          | 17              |
| 34780CA         | 39              | 50322BF         | 33              | 50344BU         | 9               | 50367S          | 35              |
| 34780CB         | 39              | 50322BG         | 25              | 50345W          | 11              | 50367T          | 35              |
| 34782C          | 41              | 50322BH         | 61              | 50346           | 17              | 50370F          | 17              |
| 34783N          | 59              | 50323P          | 11              | 50346A          | 15              | 50370J          | 71              |
| 34785           | 61              | 50323S          | 31              | 50347C          | 15              | 50372A          | 71              |
| 34785L          | 71              | 50325AB         | 31              | 50347E          | 9               | 50372B          | 71              |
| 34786B          | 37              | 50325AL         | 31              | 50347F          | 9               | 50375V          | 69              |
| 34786C          | 37              | 50325AM         | 31              | 50347G          | 15              | 50375Y          | 69              |
| 34786D          | 37              | 50325AN         | 31              | 50347J          | 15              | 50377AA         | 65              |
| 34786G          | 59              | 50330BH40       | 49              | 50347L          | 9               | 50377AB         | 65              |
| 34786GA         | 59              | 50330BH64       | 49              | 50347T          | 35              | 50377AC         | 69              |
| 34786GB         | 59              | 50330BL16       | 47              | 50348           | 29              | 50377AD         | 69              |
| 34786GC         | 59              | 50330CZ         | 9               | 50351A          | 11              | 50377AE         | 69              |
| 34786GE         | 59              | 50330DU64       | 53              | 50352           | 11              | 50377AF         | 63              |
| 34786GF         | 59              | 50330FM40       | 45              | 50354F          | 11              | 50377AK         | 69              |
| 34786GG         | 59              | 50330FM48       | 45              | 50354G          | 11              | 50377AM         | 63              |
| 34893           | 29              | 50330FM56       | 45              | 50354H          | 9               | 50377AR         | 63              |
| 35082E          | 41              | 50330FN         | 45              | 50354J          | 9               | 50377AT         | 67              |
| 35082F          | 41              | 50330FP         | 45              | 50355AM         | 11              | 50377C          | 63              |
| 35733G          | 63              | 50330FR         | 45              | 50355AN         | 11              | 50377D          | 63              |
| 36271A          | 17              | 50330FS         | 45              | 50355AR         | 21              | 50377E          | 65              |
| 376             | 37              | 50330FU         | 45              | 50355AS         | 69              | 50377F          | 65              |
| 39531A          | 59              | 50330GN         | 45              | 50357AA         | 21              | 50377G          | 63              |
| 39531B          | 59              | 50330GR         | 45              | 50357AG         | 31              | 50377H          | 69              |
| 39536C          | 33              | 50332S          | 27              | 50357AH         | 31              | 50377J          | 65              |
| 39543E          | 29              | 50332U          | 9               | 50357AJ         | 31              | 50377L          | 63              |
| 39568J          | 49, 53          | 50332V          | 21              | 50357AK         | 31              | 50377M          | 63              |
| 41350X          | 27              | 50333H          | 31              | 50357AR         | 17              | 50377P          | 65              |
| 421D42          | 57              | 50333P          | 21              | 50357AS         | 17              | 50377S          | 65              |
| 43281K          | 43              | 50335AF         | 21              | 50357AT         | 17              | 50377T          | 63              |
| 4611U           | 71              | 50335AG         | 21              | 50357AV         | 17              | 50377U          | 65              |
| 50301BK         | 43              | 50335AH         | 21              | 50357AW         | 17              | 50377VA         | 63              |
| 50301BW         | 37              | 50335AP         | 25              | 50357AX         | 17              | 50377Z          | 65              |
| 50301BX         | 43              | 50335AW         | 15              | 50357V          | 17              | 50378AD         | 69              |
| 50301CP         | 41              | 50335BC         | 25              | 50357Y          | 17              | 50381           | 21              |
| 50302           | 37              | 50335BD         | 13              | 50358U          | 17              | 50381B          | 21              |
| 50302A          | 41              | 50335BE         | 29              | 50358V          | 17              | 50381E          | 9               |
| 50302D          | 41              | 50337AM         | 63              | 50358W          | 17              | 50381F          | 21              |



## NUMERICAL INDEX OF PARTS

| <u>Part No.</u> | <u>Page No.</u> | <u>Part No.</u> | <u>Page No.</u> | <u>Part No.</u> | <u>Page No.</u> | <u>Part No.</u> | <u>Page No.</u> |
|-----------------|-----------------|-----------------|-----------------|-----------------|-----------------|-----------------|-----------------|
| 50381G          | 21              | 50393FG         | 27              | 61330B41        | 49              | 96275           | 59              |
| 50382FU         | 39              | 50393FH         | 27              | 61330B42        | 53              | 96276           | 27              |
| 50382FV         | 39              | 50393FK         | 27              | 61351C          | 15              | 96277           | 37, 39          |
| 50382FW         | 23              | 50393GB         | 27              | 652C16          | 17              | 96278           | 69              |
| 50382FX         | 23              | 50393GD         | 27              | 660-1014        | 21              | 96529           | 61, 63          |
| 50382FY         | 23              | 50393GF         | 9               | 660-1043        | 13              | 96530           | 61              |
| 50382FZ         | 23              | 50393GT         | 27              | 660-1089        | 65              | 96651           | 49, 53          |
| 50382GB         | 23              | 50393GU         | 27              | 660-210         | 61              | 96663           | 33              |
| 50382GM         | 23              | 50393GW         | 73              | 660-212         | 23, 27          | 96667           | 33              |
| 50382GR         | 43              | 50393HB         | 23              | 660-212         | 37, 63          | 96719           | 35              |
| 50382GS         | 27              | 50393HE         | 27              | 660-264         | 57              | 96722           | 61              |
| 50382GV         | 39              | 50393HH         | 17              | 660-283A        | 19              | 96841           | 9               |
| 50382HU         | 37              | 50393HN         | 27              | 660-303         | 65              | 96865           | 35              |
| 50382HX         | 41              | 50393HS         | 11              | 660-739         | 15, 21          | 97005D          | 71              |
| 50382JA         | 37              | 50393HV         | 27              | 660-893         | 65              | 97014           | 37, 39          |
| 50382JL         | 23              | 50393JP         | 11              | 661-149         | 69              | 97015           | 61              |
| 50382JN         | 23              | 50393JW         | 11              | 661-252         | 29              | 97016           | 61              |
| 50382JU         | 71              | 50393JY         | 11              | 661-253         | 29              | 97113           | 59              |
| 50382KD         | 73              | 50393JZ         | 11              | 661-259B        | 11              | 97127           | 37, 43          |
| 50383AD         | 23              | 50393KV         | 27              | 661-261         | 13, 25          | 97137           | 33              |
| 50383AE         | 23              | 50393KW         | 9               | 661-261         | 69              | 98A             | 17, 71          |
| 50383Y          | 35              | 50393KZ         | 73              | 661-262         | 13              | 99293           | 45, 47, 49      |
| 50384F          | 37, 39          | 50393LA         | 27              | 661-348         | 25              | 99293           | 53, 55          |
| 50384L          | 23, 65          | 50394AF         | 11              | 666-149         | 35, 61          | 99301A          | 37, 43          |
| 50386           | 65              | 50395J          | 43              | 666-149         | 71              | 99343           | 29              |
| 50386B          | 69              | 50395T          | 35              | 666-197         | 73              | 99346           | 29              |
| 50386E          | 67              | 50395U          | 43              | 666-329         | 11              | 99349           | 27              |
| 50386L          | 33              | 50396G          | 37, 39          | 666-330         | 19              | 99350           | 37, 43          |
| 50386M          | 33              | 50396L          | 71              | 666-334         | 23              | 99351           | 37, 43          |
| 50389           | 37              | 50397A16        | 47              | 671B115         | 71              | 99352           | 9               |
| 50389A          | 37              | 50397A16        | 53              | 671C23          | 37              | 99356           | 37, 43          |
| 50390L          | 25              | 50397A48        | 47              | 69H             | 37, 39          | 99364L          | 37, 39          |
| 50391           | 13              | 50397C          | 47, 53          | 77A             | 31              | 99369           | 61              |
| 50391A          | 13              | 50692G          | 19              | 77K             | 59              | 9937            | 29, 33, 37      |
| 50392AB         | 9               | 51235G          | 29              | 77L             | 61              | 9937            | 43, 71          |
| 50392AU         | 17              | 51280J          | 61              | 79              | 39              | 99370           | 61              |
| 50392AV         | 19              | 51295B          | 57              | 79633           | 47              | 99391           | 59              |
| 50392AW         | 17              | 52730Y          | 45              | 80265           | 37, 73          | 99392           | 37              |
| 50392AX         | 17              | 53678N          | 15              | 87              | 41, 45, 47      | 99652A          | 29              |
| 50392AY         | 17              | 56382D          | 41              | 87              | 49, 53, 55      | 99658           | 25              |
| 50392AZ         | 17              | 56390E          | 25              | 87U             | 17              | 99675QA-400     | 37              |
| 50392BC         | 19              | 56390H          | 29              | 88              | 61              | 99682XC         | 23              |
| 50392G          | 45, 47          | 56392G          | 19              | 88B             | 59              | 99682XCB        | 23              |
| 50392G          | 49              | 56392H          | 19              | 89              | 61              | 99697J          | 37, 39          |
| 50392G          | 53, 55          | 56392M          | 19              | 90              | 33, 37, 39      | 999-211         | 9               |
| 50392S          | 17              | 56392R          | 19              | 91              | 39, 47, 49      | 999-211B        | 9               |
| 50392T          | 17              | 57830A          | 47              | 91              | 53, 55          | 999-211E        | 35              |
| 50392W          | 19              | 57844           | 17              | 93              | 33, 61          | 999-212-035     | 9               |
| 50392X          | 19              | 57865           | 19              | 93A             | 59              | 999-215         | 35              |
| 50392Y          | 19              | 57892K          | 19              | 95              | 37, 43          | 999-254J        | 27              |
| 50392Z          | 19              | 59477           | 63              | 95205           | 25              | 999-30          | 59              |
| 50393EU         | 23, 39          | 6-25-55         | 47, 55          | 95406           | 27              | 999-90B         | 59              |
| 50393EW         | 23              | 604             | 59              | 95412           | 71              | B3103804000     | 19              |
| 50393EX         | 27              | 6042A           | 31              | 95685           | 37, 39          | B3112704000     | 19              |
| 50393EZ         | 9               | 605             | 47              | 95951           | 59              | B3120352000     | 19              |
| 50393FD         | 27              | 605A            | 17              | 95953           | 27              | B3120704000     | 19              |
| 50393FE         | 27              | 605C            | 39, 55          | 96162A          | 25              | B3121804000     | 19              |
| 50393FF         | 27              | 605D            | 39              | 96162B          | 15              | B3126012000     | 19              |



NUMERICAL INDEX OF PARTS

| <u>Part No.</u> | <u>Page No.</u> | <u>Part No.</u> | <u>Page No.</u> | <u>Part No.</u> | <u>Page No.</u> |
|-----------------|-----------------|-----------------|-----------------|-----------------|-----------------|
| B3215470000 ... | 35              | SS1110640SL ... | 23              | SS8150822TP ... | 35              |
| B3530555000 ... | 23              | SS1121010SP ... | 17              | SS8151150SP ... | 63, 69          |
| C50044E .....   | 17              | SS2090620SP ... | 65              | SS8660512TP ... | 15, 29          |
| C50056B .....   | 21              | SS4080620TP ... | 11, 31          | SS8660612TP ... | 9, 13           |
| C50063N ...     | 37, 39          | SS4090515SP ... | 43              | SS8660612TP ... | 15              |
| C50077K .....   | 69              | SS4090815SP ... | 17              | SS8660612TP ... | 25, 27          |
| C50094B .....   | 27              | SS4120615SP ... | 17, 23          | SS8660612TP ... | 35, 65          |
| CE27 .....      | 11              | SS4120615SP ... | 41              | SS8661012TP ... | 13              |
| CE59 .....      | 11              | SS4120915SP ... | 17, 19          | SS8681412TP ... | 13              |
| CE63 .....      | 11              | SS4120915SP ... | 23              | SS8701042TP ... | 65              |
| CE66 .....      | 21              | SS4121215SP ... | 23              | SS9090640SP ... | 15              |
| CO67B .....     | 61              | SS4121615SP ... | 23              | SS9111010SP ... | 69              |
| CO67D .....     | 29              | SS5060410SP ... | 47, 49          | SS9151740CP ... | 21              |
| CQ200000000 ... | 73              | SS5060410TP ... | 45              | TA1050504R0 ... | 23              |
| CQ25220000 ...  | 11              | SS6060440TP ... | 47              | TA1100604R0 ... | 23, 43          |
| G11940 .....    | 55              | SS6066440TP ... | 53, 55          | TA1450404R0 ... | 65              |
| G21201 .....    | 57              | SS6090420SP ... | 39              | WP0320501SC ... | 31              |
| G29105F .....   | 29              | SS6090440SP ... | 11, 31          | WP0501046SC ... | 65              |
| G29476BV .....  | 33              | SS6090560TP ... | 29              | WP0742016SP ... | 15              |
| G50-266 .....   | 47              | SS6090620SP ... | 11              | WS0371026SD ... | 17              |
| G50-748D .....  | 37              | SS6091022TP ... | 29              | WS0510002KP ... | 17, 69          |
| G51054 ...      | 35, 61          | SS6110610TP ... | 21              | WZ0641510KP ... | 23              |
| G51347A .....   | 61              | SS6121010SP ... | 11, 21          |                 |                 |
| G57730GB ...    | 49, 53          | SS6121010SP ... | 35              |                 |                 |
| G57730GC ...    | 49, 53          | SS6121220TP ... | 63              |                 |                 |
| G57730GD ...    | 49, 53          | SS6122030SP ... | 65              |                 |                 |
| G65-134 .....   | 47              | SS6151220SP ... | 69              |                 |                 |
| G65-90 .....    | 55              | SS6151440SP ... | 63              |                 |                 |
| GA29477AP ...   | 33              | SS6151920SP ... | 21              |                 |                 |
| HA20B .....     | 29              | SS6153040SP ... | 21              |                 |                 |
| HT2C .....      | 47              | SS7060310SP ... | 17, 31          |                 |                 |
| J79J .....      | 39              | SS7080510TP ... | 15, 17          |                 |                 |
| J87J .....      | 33, 61          | SS7080520SP ... | 11, 31          |                 |                 |
| LA451 .....     | 23              | SS7090520SP ... | 19              |                 |                 |
| NM6030001SD ... | 45              | SS7090530SP ... | 23, 71          |                 |                 |
| NS6110310SP ... | 63              | SS7090610SP ... | 17              |                 |                 |
| NS6110420SP ... | 19              | SS7090910TP ... | 17              |                 |                 |
| NS6120480SP ... | 65              | SS7110410SP ... | 17, 69          |                 |                 |
| NS6150310SP ... | 21              | SS7110910TP ... | 15              |                 |                 |
| NS6620320SP ... | 23              | SS7111120TP ... | 11, 13          |                 |                 |
| NS6680410SP ... | 15              | SS7111120TP ... | 71              |                 |                 |
| PH0200063C0 ... | 45              | SS7112420SP ... | 63              |                 |                 |
| PH0300164C0 ... | 45              | SS7120640SP ... | 17, 23          |                 |                 |
| PH0400104U0 ... | 35              | SS7120710SP ... | 17, 27          |                 |                 |
| PS0400142KH ... | 9               | SS7121410TP ... | 15, 19          |                 |                 |
| RC0980615K0 ... | 35              | SS7121610SP ... | 65              |                 |                 |
| RE0500000K0 ... | 21              | SS7660520SP ... | 13              |                 |                 |
| RE0900000K0 ... | 31              | SS7681410TP ... | 13              |                 |                 |
| RO037180100 ... | 9               | SS8080310SP ... | 45              |                 |                 |
| RO068190100 ... | 21              | SS8080310TP ... | 49, 53          |                 |                 |
| RO068190100 ... | 63              | SS8080310TP ... | 55              |                 |                 |
| SD0380551SL ... | 17              | SS8080410TP ... | 17              |                 |                 |
| SD0640323TP ... | 23              | SS8090540SP ... | 31              |                 |                 |
| SD0790303SP ... | 21              | SS8110422TP ... | 11, 15          |                 |                 |
| SD1000801SH ... | 15              | SS8110422TP ... | 21, 35          |                 |                 |
| SM4030455SP ... | 45              | SS8110422TP ... | 65, 69          |                 |                 |
| SM4040655SP ... | 43              | SS8120410SP ... | 63              |                 |                 |
| SM7040800SL ... | 45              | SS8150710SP ... | 63              |                 |                 |







Union Special Corporation  
Corporate Office  
One Union Special Plaza  
Huntley, IL 60142  
Phone: 847•669•5101  
Fax: 847•669•4454

Union Special GmbH  
European Distribution Center  
Raiffeisenstrasse 3  
D-71696 Möglingen, Germany  
Tel: 49•07141•247•0  
Fax: 49•07141•247•100

JUKI CORPORATION  
INTERNATIONAL SALES DIVISION  
8-2-1, KOKURYO - CHO,  
CHOFU-SHI, TOKYO 182, JAPAN  
PHONE: 03(3430)4001~5  
FAX: 03(3430)4909 . 4914 . 4984



**JUKI**  
*Union Special*